



Instruction Manual

LeCroy AP033

Active Differential Probe

REVISION F — OCTOBER 2001



LeCroy

Warranty

LeCroy warrants this oscilloscope accessory for normal use and operation within specifications for a period of three years from the date of shipment. Calibration after each 12 month interval is recommended to ensure performance to specification. Spare parts, replacement parts and repairs are warranted for 90 days. The instrument's firmware has been thoroughly tested and thought to be functional, but is supplied without warranty of any kind covering detailed performance.

In exercising its warranty, LeCroy will repair or at its option, replace any assembly returned within its warranty period to the Customer Service Department or an authorized service center. However, this will be done only if the product is determined by LeCroy's examination to be defective due to workmanship or materials, and the defect is not caused by misuse, neglect, accident, abnormal conditions of operation, or damage resulting from attempted repair or modifications by a non-authorized service facility.

The customer will be responsible for the transportation and insurance charges for the return of products to the service facility. LeCroy will return all products under warranty with transportation prepaid.

This warranty replaces all other warranties, expressed or implied, including but not limited to any implied warranty of merchantability, fitness, or adequacy for any particular purposes or use. LeCroy shall not be liable for any special, incidental, or consequential damages, whether in contract or otherwise.

Corporate Headquarters

700 Chestnut Ridge Road
Chestnut Ridge, NY 10977-6499
Tel: (845) 578-6020, Fax: (845) 578-5985

Internet: www.lecroy.com

Copyright 2001 by LeCroy Corporation. All rights reserved. Contents of this publication may not be reproduced in any form without written permission of LeCroy Corporation.

LeCroy, Easywave, SMART Trigger, PowerMeasure, and ProBus are registered trademarks of LeCroy Corporation.



AP033-OM-E Rev F 1001





Table of Contents

Overview

Description	1-1
Applications	1-1
Conventions used in this Manual	1-2



Safety Information

Operator Safety	2-1
-----------------------	-----

Operation

Connecting the Probe to the Test Instrument	3-1
Connecting the Probe to the Test Circuit	3-1
Probe Input Loading	3-3
Grounding the Probe	3-4
Selecting the Proper Range	3-5
Operation with LeCroy Oscilloscopes	3-7
Adding Offset	3-11
Autobalance	3-12
Designing Test Fixtures for the AP033 Probe	3-13

Reference Information

Differential Mode and Common Mode	4-1
Differential Mode Range and Common Mode Range	4-1
Common Mode Rejection Ratio	4-2

Remote Commands

Remote Control	5-1
Command List	5-1
Gain Control Mode	5-2



Care and Maintenance

Cleaning	6-1
----------------	-----



Calibration Interval 6-1
Service Strategy 6-1
Troubleshooting 6-1
 A. Trace Off Scale 6-1
 B. Incorrect Frequency Response 6-3
 C. DC Errors 6-3
 D. Poor Common Mode Rejection 6-3
Returning a Probe 6-4
Replacement Parts 6-5
Matching Procedure for ± 10 Plug-On External Attenuator 6-8
Equipment Required 6-8
Procedure 6-9

Performance Verification

Test Equipment Required 7-1
Preliminary Procedure 7-3
Procedure 7-4
 A. Check Gain Accuracy 7-4
 B. Check High Frequency CMRR 7-7
 C. Check Low Frequency CMRR 7-10

Adjustment Procedure

Introduction 8-1
Test Equipment Required 8-2
Preliminary Procedure 8-4
Procedure 8-7
 A. Adjust Preliminary Probe DC Balance (R36) 8-7
 B. Adjust Coarse DC Balance (R226) 8-8
 C. Adjust Fine DC Balance (R304) 8-9
 D. Adjust ± 10 Attenuator CMRR (R7) 8-10
 E. Adjust Offset (R330) 8-12
 F. Adjust Gain (R322C) 8-14
 G. Adjust Final Attenuator Compensation (C17) 8-15

H. Adjust Final Attenuator CMRR (C18A)	8-16
I. Assemble Probe and Amplifier	8-17
J. Attenuator Matching and Final Check	8-18



Specifications

Nominal Characteristics	9-1
Warranted Electrical Characteristics	9-2
Typical Electrical Characteristics	9-3
General Characteristics	9-5
Compliance and Certifications	9-6
Safety Information	9-6
Operator Safety	9-6
Standard Accessories	9-7
Optional Accessories	9-7
Oscilloscope Software Compatibility	9-7

Appendix

AP033 Performance Verification Test Record	A-1
--	-----

#



BLANK PAGE



Overview

DESCRIPTION

The AP033 is a wide band differential active probe. The probe features low noise, low input capacitance, high common mode rejection, and FET-buffered inputs in the probe head. User selectable attenuation and offset give the probe flexibility to measure a large range of signal amplitudes. Plug-on attenuator and AC coupling accessories further extend the application range. Interconnect accessories included allow connection to surface mount and through-hole components with minimal signal degradation. The input receptacles in the probe head are compatible with standard 0.025 in. (0.635 mm) square pins. This provides a convenient low cost method of creating device characterization test fixtures.

The probe is powered directly from a LeCroy oscilloscope through the ProBus® interface. The ProBus interface also allows local control of the probe through the oscilloscope user interface and remote control through the interface buses, (GPIB, RS-232). The optional ADPPS power supply allows the AP033 to be used with other instruments such as spectrum analyzers, network analyzers, and oscilloscopes without ProBus interface.

APPLICATIONS

The AP033 is ideal for acquiring high speed differential signals such as those found in disk drive read channels, differential LAN, video, etc. It can also be used with spectrum analyzers to acquire signals in some RF systems (for example, balanced IF mixers in hand held cellular telephones). The high impedance characteristics of both inputs allow the probe to be used as a FET probe to make single-ended measurements in digital systems without introducing a ground loop, as a conventional FET probe would.



CONVENTIONS USED IN THIS MANUAL

The following conventions may appear in this manual:

Note

A Note contains general information relating to the use of the product.

Caution

A Caution contains information that should to be followed to avoid possible damage to the instrument or the device under test.

WARNING

A Warning alerts you to potential injury to yourself. Failing to adhere to the statement in a WARNING message could result in bodily injury.

The following symbol may appear on the product:



Read First: Safety Information

The corresponding information in the manual is denoted with the same symbol.

CAT I Overvoltage Installation Category per EN 61010-1

#



Safety Information

OPERATOR SAFETY

The probe is intended to be used only with instruments that are connected to earth ground through the input BNC connector. When you are using it with the ADPPS Power Supply Adapter, make sure that the adapter is connected to a BNC connector that is grounded by the test instrument before you connect the probe inputs to the test circuit.

Do not use in wet or explosive atmospheres. Remove any contamination from the probe housing before you connect the probe inputs to any circuit. Make sure that the surface of the probe head is completely dry before connecting the inputs.

Use of the probe and/or the instrument it is connected to in a manner other than that specified may impair the protection mechanisms.

Do not use the probe if any part is damaged. All maintenance should be referred to qualified service personnel.

#



BLANK PAGE



Operation



Caution

The input circuits in the AP033 incorporate components that protect the probe from damage resulting from electrostatic discharge (ESD). Keep in mind that this is an active probe, and it should be handled carefully to avoid damage. When using the AP033, you are advised to take precautions against potential instrument damage due to ESD.

CONNECTING THE PROBE TO THE TEST INSTRUMENT

When using the probe with a LeCroy Oscilloscope equipped with ProBus, attach the probe output connector to the oscilloscope input connector. The oscilloscope will recognize the probe, set the oscilloscope input termination to 50 Ω , and activate the probe control functions in the user interface.

To use the AP033 probe with instrumentation not equipped with a ProBus interface, it is necessary to use the Active Differential Probe Power Supply (ADPPS). Attach the ADPPS connector to the probe output connector. The output connector of the ADPPS is a standard male BNC which can be directly connected to the test instrument. If necessary, the output of the ADPPS can be interconnected with a 50 Ω coaxial cable. To minimize the effects of skin loss, this cable should be 1 m or less in length. The AP033 is designed to drive a 50- Ω load. The gain will be uncalibrated if the output is not correctly terminated. When using the AP033 with an instrument that has a high input impedance, place a 50- Ω BNC in-line terminator on the instrument input before attaching the ADPPS.

CONNECTING THE PROBE TO THE TEST CIRCUIT

Two inputs and a ground connection are available at the probe tip to connect the probe to a circuit under test. For accurate measurements, both the + and - inputs must always be connected to the test circuit. The ground connection is optional.



Positive voltages applied to the + input relative to the – input will deflect the oscilloscope trace toward the top of the screen.

To maintain the high performance capability of the probe in measurement applications, be careful when connecting the probe to the test circuit. Increasing the parasitic capacitance or inductance in the input paths may introduce a “ring,” or slow down the rise time of fast signals. To minimize these effects, use the shortest length possible when connecting the probe to the circuit under test. Input leads that form a large loop area (even shielded coaxial cables) will pick up any radiated electromagnetic field that passes through the loop, and may introduce noise into the probe inputs. Because this signal will appear as a differential mode signal, the probe’s common mode rejection will not remove it. This effect can be greatly reduced by using short interconnection leads, and twisting them together to minimize the loop area.

High common mode rejection requires precise matching of the relative gain or attenuation in the + and – input signal paths. Mismatches in additional parasitic capacitance, inductance, delay and source impedance difference between the + and – signal paths will lower the common mode rejection ratio. Therefore it is desirable to use the same length and type of wire and connectors for both input connections. When possible, try to connect the inputs to points in the circuit with approximately the same source impedance.

If you desire AC coupling, install the AC coupling accessory on the probe tip before connecting it to the test circuit. The low frequency cut off (-3 dB point) of the AC coupler is approximately 16 Hz.

If the voltage in the test circuit requires more than ± 10 attenuation, add the external ± 10 attenuator to the probe tip. If you are using both the external attenuator and AC coupler, install the attenuator on the probe tip first, and then install the AC coupler on the attenuator input.

In addition to being compatible with the lead set included, the probe input connectors will mate with standard 0.025 in. (0.635 mm) square pins in any rotational orientation. To avoid damaging the input connectors, do not attempt to insert

connectors or wires with a diameter larger than 0.036 in. (0.91 mm). Avoid rotating square pins after they are inserted into the input connectors.

The accessories included simplify the task of connecting the probe to the test circuit:

- Use the small (0.5 mm) mini-clips with the flexible lead set when probing fine pitch surface mount IC leads.
- You can use the larger (0.8 mm) mini-clips to probe through-hole leaded components.
- You can use the offset round pins for hand-held probing applications. Reposition the pins by rotating them to obtain the required spacing.

PROBE INPUT LOADING

Attaching any probe to a test circuit will add some loading. In most applications, the high impedance of the AP033 imparts an insignificant load to the test circuit. However, at very high frequencies, the capacitive reactance of the probe's input capacitance may load the circuit enough to affect the accuracy of the measurement. The equivalence model of the probe input circuits is shown in Figure 1.

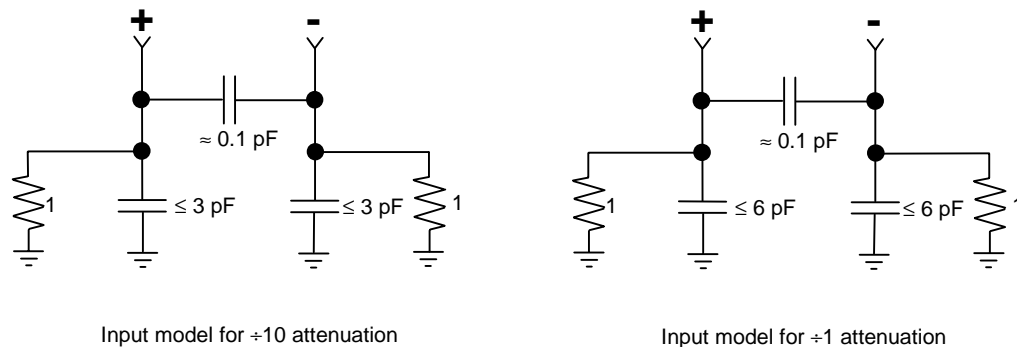


Figure 1. AP033 Equivalent Input Model



GROUNDING THE PROBE

You can use the single lead and one of the larger (0.8 mm) mini-clips to ground the probe to the test circuit. Insert the pin end of the lead into the receptacle marked: \perp

Note

Do not use the attenuator encoding receptacle (unmarked socket near the “-“ input) to ground the probe. Connection to the encoding receptacle will not provide adequate grounding and may result in an incorrect effective gain indication.

In many cases it is not necessary to ground the probe to the circuit under test. However, if the test circuit is isolated from earth ground, it is usually necessary to connect the probe ground to a point in the circuit. Grounding test circuits that are referenced to earth ground may improve the fidelity of high frequency components in the waveforms. The potential for improvement with grounding will vary depending on the common mode source impedance. However, connecting the probe ground to a circuit that is referenced to earth ground can create a ground loop that may add noise to low amplitude signals. The rejection of high frequency common mode signals is improved when the probe head is not grounded.

The best recommendation for connecting or not connecting the probe ground is to try both configurations and select the one that performs the best.

Note

The AP033 transmits the measured signal differentially through the probe cable. This essentially eliminates signal degradation from ground loop effects within the probe. However, creating a ground loop may introduce signal distortions in the test circuit itself, or in any coaxial cable between the ADPPS power supply and the test instrument.

SELECTING THE PROPER RANGE

The AP033 has two independent controls that set the common mode range and equivalent volts/division. The probe gain can be set to x1 or x10. The gain control (GAIN) only affects the differential mode range of the probe. A separate input attenuation control (ATTEN) sets the probe input attenuator to either $\div 1$ or $\div 10$. See Figure 2.

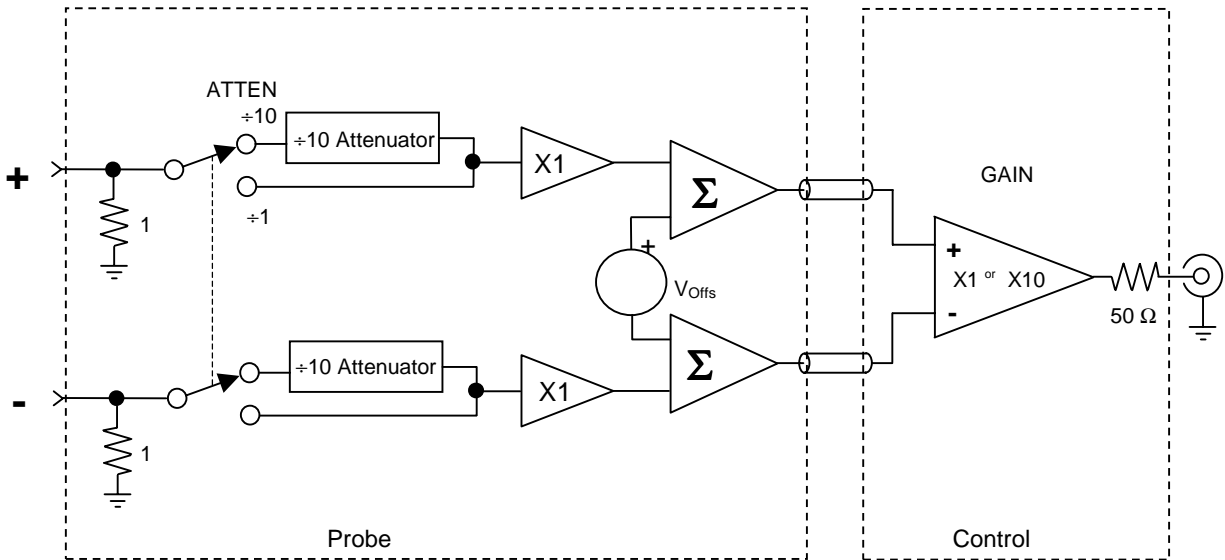


Figure 2. AP033 Block Diagram

The attenuator is located at the probe input and, therefore, affects both the differential mode and common mode ranges. (Refer to the Reference Section for definitions of Common Mode and Differential Mode.) By using the plug-on attenuator, you can extend the attenuation range to $\div 100$. The maximum ranges are given in Table 1.



Table 1. AP033 Dynamic ranges and input capacitance at different attenuator settings

	÷1 Attenuation	÷10 Attenuation	÷100 Attenuation
Common Mode Range	±4.2 V	±42 V	±42 V
Differential Mode Range with x1 Gain*	±400 mV	±4 V	±40 V
Differential Mode Range with x10 Gain*	±40 mV	±400 mV	±4 V
Input Capacitance, each side to ground	6.0 pF	3.0 pF	1.9 pF
Input Capacitance each side to ground, with AC Coupler	7.3 pF	4.3 pF	3.2 pF

*Offset moves the center point of this range.

When you are using a differential probe or amplifier, be careful not to exceed the common mode range. Because the common mode signal is rejected by the probe, and not displayed, changes in the amplitude of the common mode component are not apparent. Exceeding the common mode range may introduce distortion into the AP033 output. To reduce the possibility of errors caused by exceeding the common mode range, the probe monitors the input voltage. If the common mode range is exceeded when the ÷1 input attenuator is selected, the probe will automatically switch to the ÷10 attenuator. If the voltage on either input exceeds 55 volts, both the ÷1 and ÷10 attenuator lights will alternately flash to alert the user to the over-range condition.

There are two combinations which result in x1 effective gain. A ÷10 attenuation with x10 gain results in higher common mode range and lower input capacitance, but it increases the noise referred to the input. Conversely, ÷1 attenuation with x1 gain reduces the noise at the expense of less common mode range and greater input capacitance.

Circuitry in the probe decodes the effective gain of the probe based on the settings of the gain, internal attenuation and the presence of the external attenuator. The resulting effective gain is displayed on the probe front panel.

OPERATION WITH LECROY OSCILLOSCOPES

When the AP033 probe is connected to a LeCroy oscilloscope equipped with the ProBus interface, the displayed scale factor and measurement values will be adjusted to account for the effective gain of the probe.

When the AP033 probe is first connected to the oscilloscope, the following message will appear: "WARNING: Probe offset buttons are locked". This is to alert the user that offset control must be made through the oscilloscope, rather than through the buttons located on the probe. It does not indicate a failure in the probe or oscilloscope.

With oscilloscope software versions 7.6.0 and higher, the probe gain, internal attenuation, and offset can be conveniently controlled through the oscilloscope's user interface. The common mode range is also displayed. Manual control through the oscilloscope user interface can be found in the **COUPLING** menu of the channel to which the probe is connected. The appearance and functionality of the control menu has changed with incremental versions of the oscilloscope software. Refer to the section titled "Oscilloscope Software Compatibility" for additional information.

With software versions 8.1.0 and higher, there are two modes of gain control: Auto and Manual. The oscilloscope defaults to Auto mode when the probe is first attached. In Auto mode, the **VOLTS/DIV** knob controls the oscilloscope's scale factor, AP033 gain, and AP033 attenuation to give the full available dynamic range: 200 $\mu\text{V}/\text{div}$ to 1 V/div (without external attenuator), or 2 mV/div to 10 V/div (with external ± 10 attenuator installed). Some of the transitions in scale factor will result in a change of the attenuation in the AP033 probe. The common mode range, input capacitance, and noise level of the probe will change with the probe attenuator setting. For Volts/Div settings which can be produced with more than one combination of probe gain and attenuation settings, Auto mode selects the combination which results in greater common mode range and lower input capacitance.

In some situations, you may wish to select probe settings optimized for the lowest noise performance with lower common mode range. Likewise, you may require that the probe not



AP033 Active Probe

change input capacitance, noise, or common mode range as you change the VOLTS/DIV setting. These requirements can be met by setting the probe to Manual gain control mode. When set to Manual mode, the dynamic range of the **VOLTS/DIV** knob is limited to the scale factors that can be obtained without changing the AP033 gain or attenuation. Thus in Manual gain control mode, only the scale factor of the oscilloscope will be changed. In this mode, dedicated menu boxes are displayed for Probe Attenuation and Probe Gain. (Refer to Figure 3). The available values that appear in the Probe Atten menu box will change depending on the presence of the external attenuator. When the external $\div 10$ attenuator is not installed, $\div 10$ and $\div 1$ will be displayed. With the external $\div 10$ attenuator, only $\times 100$ will be displayed.

In software versions 8.1.0 and higher, the channel OFFSET knob will control the probe offset, rather than the offset at the oscilloscope input. The OFFSET buttons on the probe body are disabled.

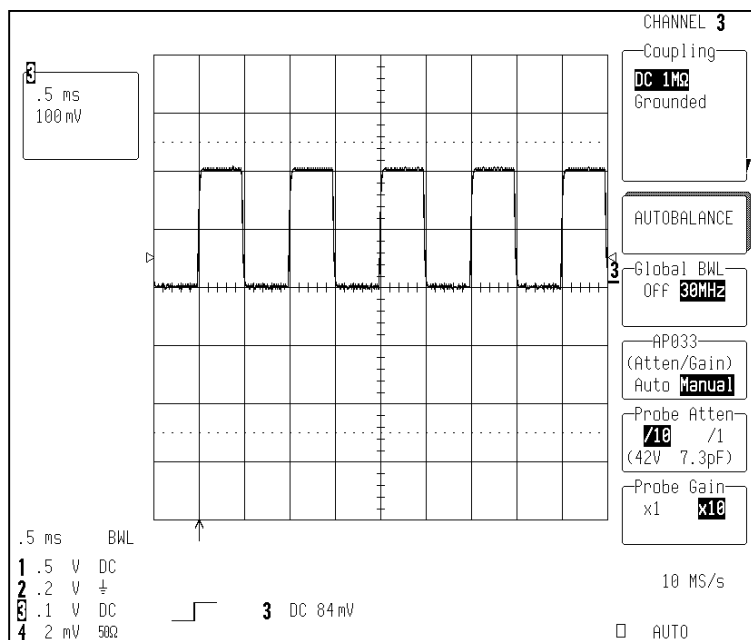


Figure 3. AP033 Probe Control Menu with V8.1.0 Software

The Coupling Menu refers to the probe input. The common mode dynamic range (CMDR) for the selected probe gain and attenuation settings are displayed in the Probe Attenuation menu. In some versions of software, the input capacitance from each input to ground is also displayed.

When using the AP033 with the ADPPS power supply on oscilloscopes without a ProBus interface, use Table 2 to select the desired effective volts per division scaling.

Table 2. Recommended AP033 and Oscilloscope settings to obtain desired equivalent Volts/Division

Equivalent Scale Factor	Oscilloscope Scale Factor	AP033 Attenuation	AP033 Gain	Common Mode Range	Differential Mode Range	Maximum Offset	Input Noise (nV/√Hz)
100 μV/Div	1 mV/Div	÷1	X10	±4.2 V	±40 mV	±400 mV	6
200 μV/Div	2 mV/Div	÷1	X10	±4.2 V	±40 mV	±400 mV	6
500 μV/Div	5 mV/Div	÷1	X10	±4.2 V	±40 mV	±400 mV	6
1 mV/Div	10 mV/Div	÷1	X10	±4.2 V	±40 mV	±400 mV	6
2 mV/Div	20 mV/Div	÷1	X10	±4.2 V	±40 mV	±400 mV	6
5 mV/Div	50 mV/Div	÷1	X10	±4.2 V	±40 mV	±400 mV	6
10 mV/Div	100 mV/Div	÷1	X10	±4.2 V	±40 mV	±400 mV	6
20 mV/Div	20 mV/Div	÷10	X10	±42 V	±400 mV	±4 V	60
50 mV/Div	50 mV/Div	÷10	X10	±42 V	±400 mV	±4 V	60
100 mV/Div	100 mV/Div	÷10	X10	±42 V	±400 mV	±4 V	60
200 mV/Div	20 mV/Div	÷10	X1	±42 V	±4 V	±4 V	115
500 mV/Div	50 mV/Div	÷10	X1	±42 V	±4 V	±4 V	115
1 V/Div	100 mV/Div	÷10	X1	±42 V	±4 V	±4 V	115
2 V/Div	20 mV/Div	÷100 ¹	X1	±42 V	±40 V	±40 V	1150
5 V/Div	50 mV/Div	÷100 ¹	X1	±42 V	±40 V	±40 V	1150
10 V/Div	100 mV/Div	÷100 ¹	X1	±42 V	±40 V	±40 V	1150

¹÷100 attenuation obtained using the external ÷10 attenuator. The probe is automatically set to ÷10 internally when the external attenuator is installed. The internal ÷1 attenuator cannot be selected when the external ÷10 attenuator is installed.



ADDING OFFSET

The AP033 has true differential offset capability. This allows you to remove a DC bias voltage from the differential input signal while maintaining DC coupling. By using probe offset rather than the “position” control on the oscilloscope, the full dynamic range of the probe remains centered around the offset level.

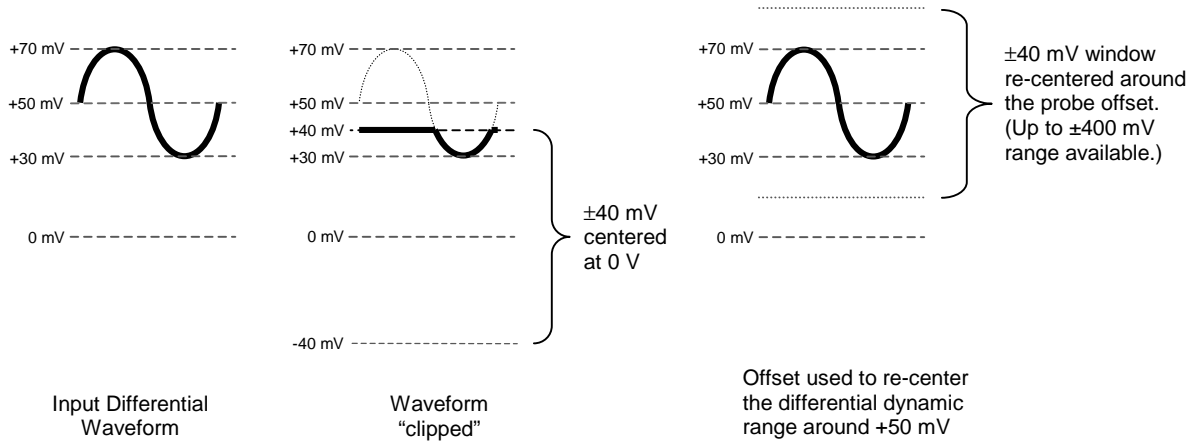


Figure 4. Effect of Differential Offset

When the AP033 is used with a LeCroy oscilloscope equipped with a ProBus interface and software versions 7.6.0 to 8.0.0, the probe offset must be controlled through either the Probe Offset menu selection in the COUPLING screen, or the buttons on the probe body. The channel OFFSET control does not change the probe offset and, therefore, should not be used.

When used with the ADPPS Power Supply on instruments that lack ProBus support, offset can be controlled with the buttons on the front panel. The offset can be returned to zero at any time by briefly pressing the \uparrow and \downarrow OFFSET buttons at the same time. Pressing and holding the \uparrow and \downarrow OFFSET buttons for more than two seconds will initiate an Autobalance cycle.

AUTOBALANCE

The AP033 incorporates an Autobalance function to remove the DC offset from the output. Autobalance must be invoked by you. When power is first applied, the probe will return to the internal values resulting from the last Autobalance cycle. For Autobalance to function properly, all signals must be removed from the input.

After several minutes of warm up, or when the probe is exposed to a large shift in ambient temperature, some DC offset drift may occur from thermal effects in the amplifier circuitry. To initiate an Autobalance cycle, remove the probe from the test circuit and select **AUTOBALANCE** from the oscilloscope's **COUPLING** menu for the channel the probe is connected to. If the probe is being used with the ADPPS power supply, remove the input signal, and push and hold both the **OFFSET** buttons for two seconds. The AP033 output must be terminated into 50 Ω for successful Autobalance.

Upon successful completion of the Autobalance cycle, all four of the **EFFECTIVE GAIN** indicators will be briefly illuminated. If an input signal is present during auto balancing and the routine fails, the **EFFECTIVE GAIN** indicators will not illuminate. The probe will then revert to the offset values that resulted from the last successful completion of the Autobalance cycle. In many situations, this will be adequate to make routine measurements.



DESIGNING TEST FIXTURES FOR THE AP033 PROBE

Often it is desirable to connect the probe directly to user-fabricated test fixtures, such as those used for semiconductor characterization. To facilitate use with custom test fixtures, the input receptacles of the AP033 probe are compatible with commercially available 0.025 in. (0.635 mm) square pins. The receptacles do not require a specific rotational alignment for the square pin. The dimensions listed below can be used as a layout guide for a test fixture circuit board. The recommended insertion depth of the pins is 0.100 in. (2.5 mm) to 0.200 in. (5.0 mm).

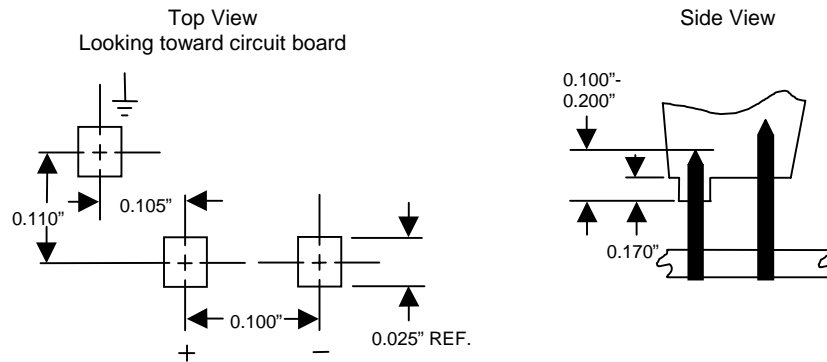


Figure 5. Layout dimensions for test fixtures

#



Reference Information

DIFFERENTIAL MODE AND COMMON MODE

Differential probes amplify the voltage difference that appears between the + and – inputs. This voltage is referred to as the Differential Mode or Normal Mode voltage. The voltage component that is referenced to earth ground, and is identical on both inputs, is rejected by the amplifier. This voltage is referred to as the Common Mode voltage, because it is common to both inputs. The common mode voltage can be expressed as:

$$V_{CM} = \frac{V_{+Input} + V_{-Input}}{2}$$

DIFFERENTIAL MODE RANGE AND COMMON MODE RANGE

The Differential Mode Range is the maximum signal that can be applied between the + and – inputs without overloading the probe amplifier, resulting in “clipping” or distortion of the waveform measured by the oscilloscope.

The Common Mode Range is the maximum voltage with respect to earth ground that can be applied to either input. Exceeding the common mode range can result in unpredictable results. Because the Common Mode signal is normally rejected and is not displayed on the oscilloscope, you need to be careful to avoid accidentally exceeding the common mode range.

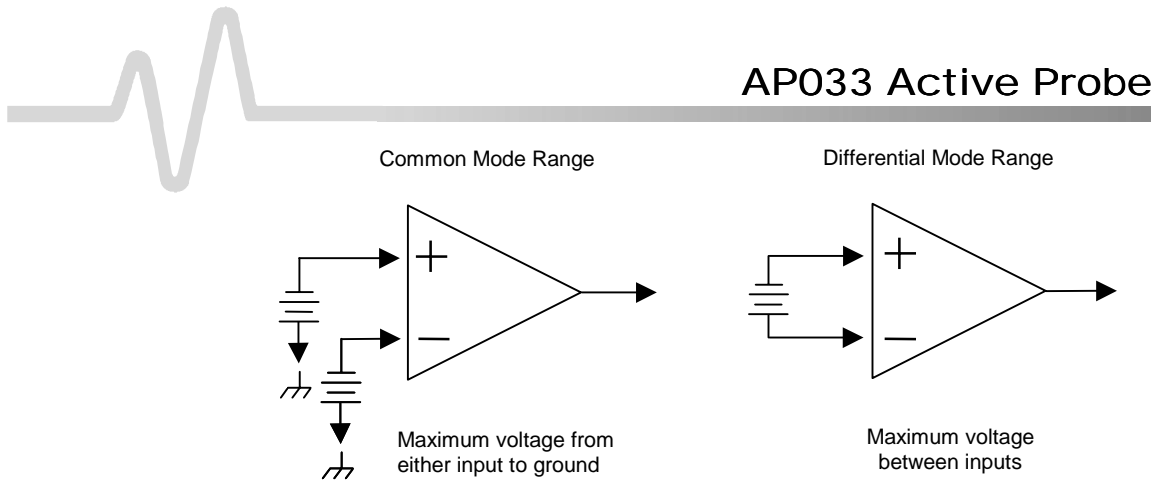


Figure 6. Common Mode and Differential Mode Range

COMMON MODE REJECTION RATIO

The ideal differential probe or differential amplifier would amplify only the differential mode voltage component and reject all of the common mode voltage component. Real differential probes and amplifiers are less than ideal, so a small portion of the common mode voltage component appears in the output. Common Mode Rejection Ratio (CMRR) is the measure of how effectively the probe or amplifier rejects the common mode voltage component. CMRR is equal to the differential mode gain (or normal gain) divided by the common mode gain. Common mode gain is equal to the output voltage divided by the input voltage when both inputs are driven by only the common mode signal. CMRR can be expressed as a ratio (for example, 10,000:1) or implicitly in dB (for example, 80 dB). Higher numbers indicate greater rejection (better performance).

The first order term that determines the CMRR is the relative gain matching between the + and - input paths. To obtain high CMRR values, the input attenuators in a differential probe are precisely matched to each other. The matching includes the DC attenuation as well as the capacitance that determines the AC attenuation. As the frequency of the common mode components increases, the effects of stray parasitic capacitance and inductance in determining the AC attenuation become more pronounced. The CMRR becomes smaller as the frequency increases. Hence, CMRR is usually specified as a plot versus common mode frequency.

Reference Information

The common mode frequency in these plots is assumed to be sinusoidal. In real life applications, the common mode signal is seldom a pure sine wave. Signals with pulse wave shapes contain frequency components much higher than the repetition rate may suggest. As such, it is very difficult to predict actual performance in the application for CMRR versus frequency graphs. The practical application of these graphs is to compare the relative common mode rejection performance between different probes or amplifiers.

#



BLANK PAGE



Remote Commands

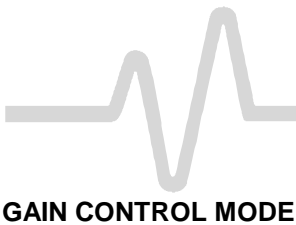
REMOTE CONTROL

When attached to a LeCroy oscilloscope equipped with a ProBus interface, the AP033 Active Differential Probe can be remotely controlled, along with the other oscilloscope functions. The control interface can be either the RS-232-C or IEEE-488 (GPIB) buses. The commands that control the probe are described below. The text for the command descriptions is formatted in a style consistent with the oscilloscope command descriptions contained in the *Remote Control Manual* supplied with the oscilloscope. Please refer to that manual for additional information on the remote control buses and the conventions used in the command descriptions.

Many of the commands begin with the **PRx:** prefix, where “x” is the channel to which the AP033 Active Differential Probe is connected. These commands are similar to the channel commands that use the prefix **Cx:**. The difference is that **PRx:** refers to the probe tip, whereas **Cx:** refers to the oscilloscope input connector. For example, **PRx:VDIV** sets the volts per division at the probe tip, while **Cx:VDIV** sets the volts per division at the BNC input connector, without factoring the gain or attenuation of the AP033 probe. The **PRx:** form of these commands is only active when the AP033 Active Differential Probe is connected to the selected channel. An error will result when an AP033-specific command is sent to the oscilloscope without a differential probe attached to the selected channel.

COMMAND LIST

ATTENUATION	Selects the input attenuation of the probe
AUTOZERO	Initiates an autozero cycle in the probe
GAIN	Selects the gain of the probe
COUPLING	Selects the input coupling of the probe
OFFSET	Selects the probe offset voltage
VDIV	Selects the vertical scale factor of the probe /oscilloscope system



The AP033 Active Differential Probe has two modes for setting the probe gain and attenuation: Auto and Manual. (Refer to Chapter 3, “Operation with LeCroy Oscilloscopes,” for more information.) The gain control mode can be selected in the AP033 control menu through the oscilloscope’s front panel, or by remote control commands that correspond to the gain mode.

Sending the PRx:ATTEN or PRx:GAIN commands will set the AP033 Probe to Manual gain control mode.

Sending the PRx:VDIV command will set the AP033 Probe to Auto gain control mode.

PROBE

ATTENUATION, ATTN Command/Query

DESCRIPTION

The ATTENUATION command sets the internal attenuation of the differential probe, including the factor of the external $\div 10$ plug-on attenuator. The command will also switch the Atten/Gain control mode to Manual if it was in Auto. The command is only valid when the external $\div 10$ plug-on attenuator is not being used. When the external $\div 10$ plug-on attenuator is attached, the attenuation is fixed at $\div 100$.

The ATTENUATION? query returns the attenuation of the differential probe connected to the specified channel. The query form is always valid.

COMMAND SYNTAX

<channel>:ATTenuation <attenuation>

<channel> : = {PR1, PR2, PR3, PR4}

<attenuation>: = {1, 10 } when the external $\div 10$ plug-on
attenuator is not being used.
{100} when the external $\div 10$ plug-on
attenuator is attached.

QUERY SYNTAX

<channel> :ATTenuation?

RESPONSE FORMAT

<channel> :ATTN <attenuation>

EXAMPLE

The following command sets the attenuation of the AP033 differential probe connected to channel 1 to $\div 10$:

```
CMD$="PR1:ATTN 10": CALL IBWRT(SCOPE%,CMD$)
```

**PROBE****AUTOZERO, AZ**
Command**DESCRIPTION**

The AUTOZERO command initiates an autobalance cycle in the differential probe to remove any offset drift.

The probe input must be disconnected from any signal source for the autozero to work properly.

COMMAND SYNTAX

<channel>:AutoZero

<channel> := {PR1, PR2, PR3, PR4}

EXAMPLE

The following command initiates an autobalance in the AP033 differential probe attached to channel 1:

```
CMD$="PR1:AZ": CALL IBWRT(SCOPE%,CMD$)
```

PROBE**COUPLING, CPL****DESCRIPTION**

The COUPLING command selects the coupling mode of the specified input channel. With the AP033 probe, AC coupling is selected by manually installing the AC Coupling adapter on the probe tip. Therefore, COUPLING can only select between the coupling mode determined by the presence or absence of the AC Coupling adapter and Grounded.

The COUPLING? Query returns the coupling mode of the selected channel.

COMMAND SYNTAX

<channel> :CouPLing <coupling>

<channel> : = {PR1, PR2, PR3, PR4}

<coupling> : = {D1M, GND} (without AC coupling adapter installed)

<coupling> : = {A1M, GND} (with AC coupling adapter installed)

QUERY SYNTAX

<channel> :CouPLing?

RESPONSE FORMAT

<channel> :CPL <coupling>

EXAMPLE

The following command sets the coupling to DC in the AP033 differential probe connected to channel 2:

```
CMD$="PR2:CPL D1M ": CALL IBWRT(SCOPE%,CMD$)
```



PROBE

GAIN, GAI
Command/Query

DESCRIPTION

The GAIN command sets the probe gain. The command also switches the Atten/Gain control mode to Manual if it is currently in Auto. The valid arguments are 1 or 10.

The GAIN? query returns the gain of the probe connected to the specified channel.

COMMAND SYNTAX

<channel>:GAI <gain>

<channel> : = {PR1, PR2, PR3, PR4}

<gain> : = {1, 10}

QUERY SYNTAX

<channel> :GAI?

RESPONSE FORMAT

<channel> :GAI <gain>

EXAMPLE

The following command sets the gain of the AP033 differential probe connected to channel 1 to x10:

```
CMD$="PR1:GAI 10": CALL IBWRT(SCOPE%,CMD$)
```


PROBE

OFFSET, OFST
Command/Query

DESCRIPTION

When an AP033 differential probe is connected to a channel, the OFFSET command sets the probe offset value. The oscilloscope channel offset is always 0 volts.

The maximum range and resolution is determined by the attenuation of the differential probe. If an out-of-range value is entered, the differential probe will set the probe offset to the closest valid value and the VAB bit (bit 2) in the STB register will be set.

The OFFSET? query returns the offset voltage of the differential probe connected to the specified channel.

COMMAND SYNTAX

<channel>:OFfSeT <offset>

<channel> := {PR1, PR2, PR3, PR4}

<offset> = {-0.400V to +0.400V} with ÷1 attenuation or
= {-4.0V to +4.0V} with ÷10 attenuation or
= {-40V to +40V} with ÷100 attenuation

Note: The suffix V is optional

QUERY SYNTAX

<channel> : OFfSeT?

RESPONSE FORMAT

<channel> : OFST <offset>

EXAMPLE

The following command sets the offset at the probe tip of the AP033 differential probe connected to channel 1 to 100 mV:

```
CMD$="PR1:OFST .1": CALL IBWRT(SCOPE%,CMD$)
```



PROBE

VOLT_DIV, VDIV
Command/Query

DESCRIPTION

The VOLT_DIV command sets the vertical sensitivity at the probe tip. The effective gain of the differential probe, including the external plug-on attenuator, is factored into the vertical sensitivity. The command also sets the Atten/Gain control mode to Auto, if it is currently in Manual mode.

The valid range of arguments is affected by the presence of the plug-on attenuator. If an out-of-range value is entered, the oscilloscope will set the vertical sensitivity to the closest valid value, and will set the VAB bit (bit 2) in the STB register.

The VOLT_DIV? query returns the vertical sensitivity at the probe tip of the specified channel.

COMMAND SYNTAX

<channel> :Volt_DIV <sensitivity>

<channel> := {PR1, PR2, PR3, PR4}

<sensitivity> := See Section 3 Table 2 for valid arguments.

Note: the suffix V is optional.

QUERY SYNTAX

<channel> :Volt_DIV?

RESPONSE FORMAT

<channel> :VDIV <sensitivity>

EXAMPLE

The following command sets the vertical sensitivity at the probe tip of the AP033 differential probe connected to channel 3 to 2 Volts/Division:

```
CMD$="PR3:VDIV 2": CALL IBWRT(SCOPE%,CMD$)
```

```
###
```



Care and Maintenance

CLEANING

The exterior of the probe and cable should be cleaned only using a soft cloth moistened with water or isopropyl alcohol. The use of abrasive agents, strong detergents, or other solvents may damage the probe. Always ensure that the input receptacles are free of debris before connecting accessories.

CALIBRATION INTERVAL

To guarantee accurate performance, you should have the probe calibrated every 12 months. Avoid exposing the probe to extreme mechanical shock and excessive bending of the cable because these may alter the calibration.

SERVICE STRATEGY

The AP033 circuits utilize fine pitch surface mount devices; it is, therefore, impractical to attempt component-level repair in the field. Defective probes must be returned to a LeCroy service facility for diagnosis and exchange. A defective probe under warranty will be replaced with a factory refurbished probe. A probe that is not under warranty can be exchanged for a factory refurbished probe. A modest fee is charged for this service. The defective probe must be returned in order to receive credit for the probe core.

TROUBLESHOOTING

If the probe is not operating properly the problem may be the way in which it is used. Before assuming the probe is defective, perform the following troubleshooting procedures.

A. Trace Off Scale

This is typically caused by improper offset setting, or by an input signal that exceeds the probe differential or common mode range. Perform the following:

1. Remove the input signal from the probe, return the offset to zero, and Autobalance the probe. Does the trace return to



- approximately the center of the graticule? If not, proceed to step 7.
2. Set the oscilloscope calibrator to output a 100-mV 1-kHz square wave. Using the flex lead set, connect the probe + input to the calibrator output signal, leave the – input open. Set the oscilloscope to 50 mV/div and 500 μ s/div. Is the displayed waveform a 100-mV 1-kHz square wave with the correct polarity?
 3. Repeat step 2 with the – input connected to the calibrator and the + input left open. In this case, the displayed waveform should be inverted.
 4. Connect both the + input and – input to the calibrator output. Is the trace approximately a flat line near zero volts?
 5. If steps 1 to 4 give the correct results, the problem is likely a result of the input signal exceeding the differential or common mode range.
 6. Connect both the + input and – input to one of the two input signals. If the trace is off scale, the input signal is probably exceeding the common mode range. Repeat with the other input signal.
 7. Is a ProBus Power Supply Overload error message displayed? If so, remove all other ProBus accessories from the oscilloscope. Is the message still displayed? If so, remove the AP033. Is the message still displayed? If so, the oscilloscope should be returned for service.
 8. If, after removing the AP033, the Power Supply Overload error message is not displayed, the problem may be either the probe or the oscilloscope. Repeat the test with a different ProBus accessory. If the message does not return with a different accessory, the AP033 may be defective and should be returned for service.

B. Incorrect Frequency Response

Possible causes are a defective probe or oscilloscope, poor connections, or poor grounding. Try the following:

1. Verify that the BW limiting of the oscilloscope is not enabled.

2. Connect the probe to another oscilloscope. If the probe now measures properly, the problem may be in the oscilloscope.
3. If the probe behaves as if it is ac-coupled at high frequency, check for an open input connection.
4. Poor frequency or transient response and AC gain errors may result when one of the two input connections is open.
5. Excessive “ring” and other transient problems can result from excessive input lead length. To test this, shorten the input leads to less than 1 cm. If the transient response changes significantly, the lead parasitics are the cause.

C. DC Errors

Incorrect DC gain requires recalibration or factory repair. This can be determined by completing the gain checks in the Performance Verification Procedure.

1. Extremely high source resistance will result in DC gain errors. Check the probe accuracy with the oscilloscope calibrator signal.
2. Verify that the probe is not being overdriven into clipping for its current gain setting.
3. Excessive offset can result from large changes in ambient temperature. Remove the input signal from the probe and repeat the Autobalance cycle. With the Offset set to zero, did the trace return to the center of the graticule?

D. Poor Common Mode Rejection

Use the 1-kHz calibrator signal from the oscilloscope to check common mode rejection. With both the + input and – input connected to the calibrator signal, a flat line at zero volts should be seen on the graticule.

1. Check the probe with the plug-on attenuator installed and removed. If excessive common mode signal appears only when the attenuator is present, the attenuator may need to be rematched to the probe. Use the procedure listed in this section to match the attenuator.
2. If the common mode signal appears when the probe is connected to the test circuit, but not when it is attached to



the calibrator, the problem may be caused by large mismatches in the source impedance. Try connecting both inputs to one of the input signals in the test circuit, then the other. If the common mode signal disappears, try probing lower impedance points within the circuit.

RETURNING A PROBE

The procedure for returning a probe for calibration or repair, is as follows:

Contact your local LeCroy sales representative to find out where to return the product. All returned products should be identified by model and serial number. You should describe the service to be performed, and provide your name and contact number. In the case of products returned to the factory, a Return Authorization Number (RAN) should be used. The RAN can be obtained by contacting your nearest LeCroy office, or the New York Customer Care Center.

Return shipments should be made prepaid. LeCroy cannot accept COD or Collect Return shipments. We recommend air-freighting. It is important that the RAN be clearly shown on the outside of the shipping package for prompt redirection to the appropriate LeCroy department.

1. Contact your local LeCroy sales or service representative to obtain a Return Authorization Number.
2. Remove all accessories, including all removable cables, from the probe.
3. Pack the probe in its case, surrounded by the original packing material (or equivalent) and box.
4. Label the case with a tag containing:
 - The RAN
 - Name and address of owner
 - Instrument model and serial number
 - Service to be performed or description of the failure mode

5. Package the probe case in a cardboard shipping box with adequate padding to avoid damage in transit.
6. Mark the outside of the box with the shipping address given to you by the LeCroy representative; be sure to add the following:
 - ATTN: <RAN assigned by the LeCroy representative>
 - FRAGILE
7. Insure the item for the replacement cost of the probe.
8. Ship the package to the appropriate address.

REPLACEMENT PARTS

The probe connection accessories, and other common parts can be ordered through the regional customer care centers. Refer to Figure 7 for LeCroy Part numbers. Defective probes can be replaced on an exchange basis. The replacement exchange probe will have been factory repaired, inspected and calibrated to the same standards as a new product. In order to obtain an exchange probe, you must return the defective probe. The returned probe should be sent back to the regional customer care center without any accessories, manual, or case.

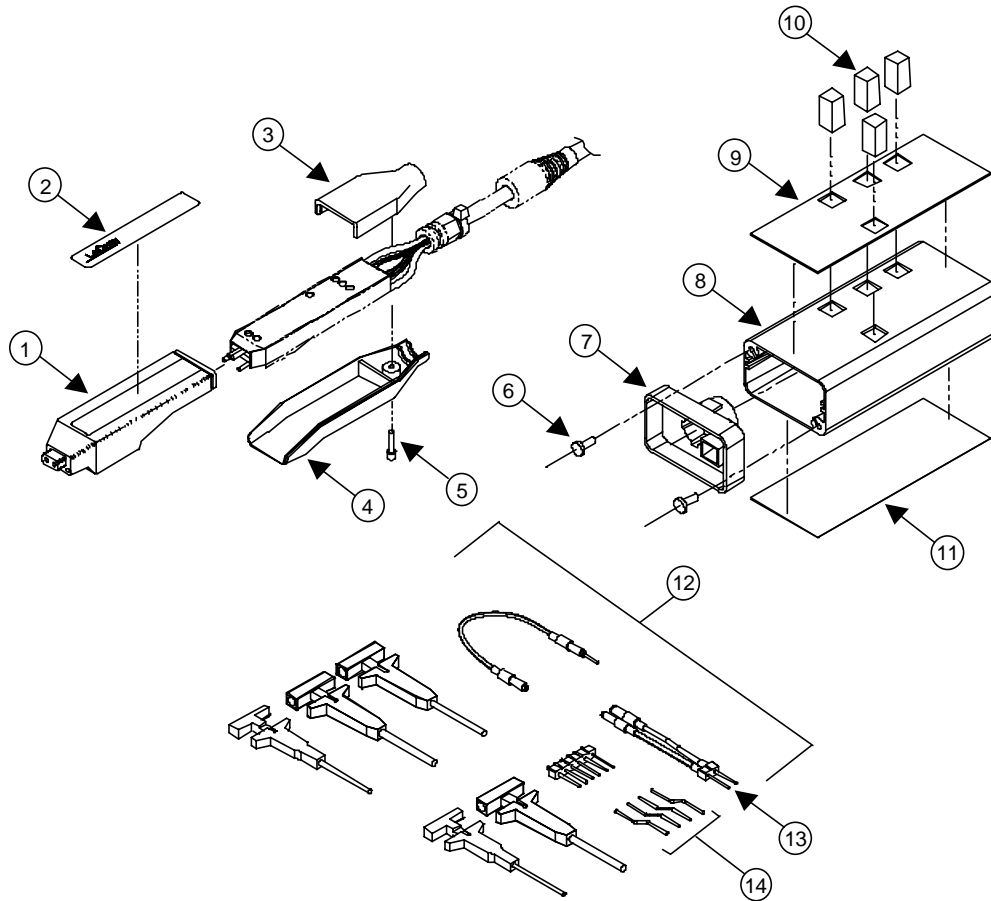


Figure 7. Replaceable Parts

Care and Maintenance

Reference	LeCroy Part Number	Description	Rev	Qty.
1	529-304-001	Plastic probe tip housing Top	A	1
2	70A-P03-304	LeCroy AP033 Probe Tip Label	A	1
3	529-304-003	Plastic probe tip housing End	A	1
4	529-304-002	Plastic probe tip housing Bottom	A	1
5	555-001-000	#2 Allen Screw, Black	A	1
6	554-425-003	Screw, M 2.5x6, self tapping	A	4
7	709-3XX-P53	ProBus End Cap	A	1
8	70A-P03-303	Termination Box	A	1
9	70A-P03-301	LeCroy Termination Box Label with cutouts	A	1
10	416-090-004	Grey Switch Cap	A	4
11	70A-P03-305	LeCroy Termination Box Rear Label	A	1
12	PK033	Accessory Kit, AP033 without AC Coupler and Attenuator	A	1
13	AP03X-FLEX-LEAD	Flex Lead	A	1
14	405400003	Offset Pin	B	--
--	AP033-PROBE-FRU	AP033 Probe only Exchange	A	--
--	AP033-ATTEN	Plug-On Attenuator, /10, AP033	A	1
--	AP03X-AC-COUPLER	Plug-On AC Coupler, AP033/AP034	B	1
--	AP033-OM-E	Instruction Manual, AP033, English	F	1



MATCHING PROCEDURE FOR ± 10 PLUG-ON EXTERNAL ATTENUATOR

The ± 10 Plug-on attenuator provided as a standard accessory with the AP033 is calibrated to match the specific probe it was shipped with. Individual probes will have small variations in parasitic capacitance within the input circuits. To obtain maximum common mode rejection performance, the attenuators are calibrated to match a specific probe during the manufacturing process. In order to preserve the maximum Common Mode Rejection, do not interchange external attenuators between probes.

The Plug-on AC coupling adapter is not matched to a specific probe and, therefore, does not need to be matched.

If the ± 10 Plug-on attenuators become accidentally mixed between probes, you can use the procedure listed below to restore the compensation match. This adjustment does not affect any of the parameters in the warranted specifications. Therefore, the required test equipment does not need to be calibrated.

Note

The AP033 and AP034 Active Differential Probe have different input capacitance. The ± 10 Plug-on attenuator supplied with the model AP034 cannot be properly adjusted for use with the model AP033. Make sure the attenuator is not marked "AP034" before attempting this procedure.

EQUIPMENT REQUIRED

Test Oscilloscope

The oscilloscope must support ProBus. Otherwise use a non-ProBus oscilloscope and ADPPS power supply.

Signal Source

Low frequency square wave: Frequency 50 Hz to 5 kHz, Amplitude 1 V to 10 V. The output waveform must have a square corner and flat top with minimum overshoot suitable for adjusting compensation. The generator should have trigger output, or use

a BNC Tee connector and separate BNC cable from the output to provide the trigger signal for the test oscilloscope.

Interconnect Cable

This is for connecting the output of the signal source to the probe. A BNC cable and a pair of small alligator clips or “lead grabber” adapter (Pomona #3788) may be used.

0.025 in. (0.635 mm) Square Pins (3 required). The pins from the header supplied in the probe accessory kit are suitable.

Tools

Flat bladed screwdriver, 0.040 in. (1 mm) wide

Adjustment Tool: 0.025 in. (0.635 mm) square head

Note

You can fabricate the Adjustment Tool by flattening the end of a 0.025 in. (0.635 mm) square pin with a file. Insert the pin into a short length of rigid plastic tubing to serve as a handle.

PROCEDURE

1. Attach the AP033 to the test oscilloscope. If the test oscilloscope is not equipped with ProBus, use the ADPPS to provide power for the AP033.
2. Attach the ÷10 Attenuator Adapter to the AP033 probe tip.
3. Insert 0.025 in. (0.635 mm) square pins into the +, -, and $\frac{\perp}{\equiv}$ input connectors of the ÷10 Attenuator Adapter.
4. Attach the interconnect cable to the output of the signal source.
5. Attach the Trigger Out signal from the signal source to the External Trigger Input of the test oscilloscope. If the signal source does not have a separate Trigger Out signal, use a BNC Tee connector in the output. Run one cable to the External Trigger Input of the test oscilloscope. Connect the other to the probe inputs.
6. Using the alligator clips on the end of the interconnect cable, connect the signal source ground to the square pin on the



- $\div 10$ Attenuator Adapter's “-” input. Attach the signal output to the square pin on the $\div 10$ Attenuator Adapter's “+” input.
7. Turn on the test oscilloscope. Set the AP033 GAIN to **X10**. The EFFECTIVE GAIN indicator for $\div 10$ should be lit. (NOTE: If the X1 EFFECTIVE GAIN indicator is lit rather than the $\div 10$, make sure that the adapter installed on the probe tip is the $\div 10$ Attenuator, and not the AC Coupler.)
 8. Set the test oscilloscope Volts/Div to 200 mV (for LeCroy oscilloscopes with ProBus) or 20 mV/Div when using the ADPPS with an oscilloscope without scale factor correction; 5 μ s/Div; AUTO trigger mode; Trigger source: External. Set the Bandwidth Limiting to 20-30 MHz and Average the waveform 1:31 to reduce noise.
 9. Turn on the signal source. Set the output frequency to approximately 5 kHz. Set the output amplitude to approximately 1 Volt.
 10. Adjust the test oscilloscope trigger level for a stable trace. If necessary, use the probe offset to position the waveform to show the square corner of the test signal. NOTE: Do not use the oscilloscope offset or position controls to reposition the trace. Many of the signal generators used for compensation calibration only have square corners on one of the two edges of the output waveform. (Rising or falling edge, but not both.) Be sure to display the correct edge for this step.
 11. Using the square adjustment tool, adjust the **+LF Comp** (See Figure 8) to achieve the best square corner and flat top of the displayed waveform. Note that the added capacitance of the adjustment tool may change the compensation of the waveform when it is inserted into the adjustment. The correct adjustment is achieved when the best corner is displayed with the adjustment tool removed.

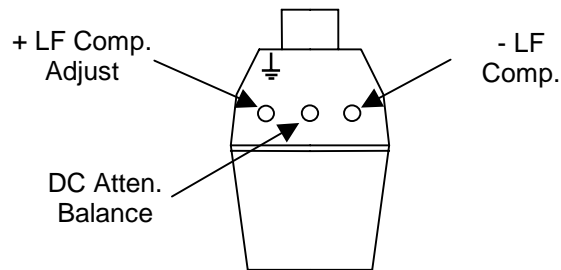


Figure 8. ±10 Attenuator Adjustment Locations

12. Move the connections on the interconnect cable so the signal generator ground is connected to the square pin inserted in the ground connector of the ±10 Attenuator Adapter. Connect the signal generator output to BOTH the + input and – input square pins in the ±10 Attenuator Adapter.
13. Set the signal generator frequency to about 50 Hz, and the output amplitude to about 10 V.
14. Set the test oscilloscope Volts/Div to 20 mV (for LeCroy oscilloscopes with ProBus) or 2 mV/Div when using the ADPPS with an oscilloscope without scale factor correction, and the time scale to 2 ms/Div. It may be necessary to increase the averaging to 1:127 to remove noise.
15. The displayed waveform is the common mode feedthrough. Using the adjustment screwdriver with the flat blade, adjust the DC Atten. Balance (See Figure 8) to minimize the amplitude of the flat portions of the displayed waveform. This adjustment only affects the flat portions of the square wave. Do not be concerned with any overshoot at the transitions.
16. Reduce the Test Oscilloscope Averaging weighting to 1:31. Return the Volts/Div to 200 mV (for LeCroy oscilloscopes with ProBus) or 20 mV/Div when using the ADPPS with an oscilloscope without scale factor correction, and the Time/Div to 5 μ s.
17. Return the signal source output frequency to approximately 5 kHz. Set the output amplitude to approximately 1 Volt.
18. Using the 0.025 in. square adjustment tool, adjust the **–LF Comp** (See Figure 8) to minimize the amplitude of overshoot



AP033 Active Probe

during the transition of the displayed waveform. It may not be possible to completely eliminate the overshoot. As with the +LF Comp adjustment, the added capacitance of the adjustment tool may change the amplitude of the waveform when it is inserted into the adjustment. The correct adjustment is achieved when the overshoot is minimized.

#



Performance Verification

This procedure can be used to verify the warranted characteristics of the AP033 Active Differential Probe.

The recommended calibration interval for the model AP033 Active Differential Probe is one year. The complete performance verification procedure should be performed as the first step of annual calibration. You can record test results on a photocopy of the Test Record provided in the Appendix at the end of this manual.

You can do the performance verification without removing the instrument covers, exposing yourself to hazardous voltages. Adjustment should only be attempted if a parameter measured in the Performance Verification Procedure is outside of the specified limits.

Adjustment should only be performed by qualified personnel. The Adjustment Procedure is contained in the AP033 Active Differential Probe Service Manual.

TEST EQUIPMENT REQUIRED

Table 3 lists the test equipment and accessories (or their equivalents) that are required for performance verification of the AP033 Active Differential Probe.

This procedure has been developed to minimize the number of calibrated test instruments required.

Only the parameters listed in **boldface** in the “Minimum Requirements” column must be calibrated to the accuracy indicated.

Because the input and output connector types may vary on different brands and models of test instruments, additional adapters or cables may be required.



TABLE 3
List of Required Equipment

Description	Minimum Requirements	Test Equipment Examples
Wide Band Oscilloscope ¹	Minimum 1 GHz bandwidth 2 mV to 5 V scale factors ProBus interface equipped 2% vertical accuracy	LeCroy Wavepro 950
Digital Multimeter	DC: 0.1% accuracy AC: 0.2% accuracy to measure 200 mV and 2 V rms @ 1 kHz 5½ digit resolution	Agilent Technologies 34401A Fluke 8842A-09 Keithley 2001
Function Generator	Sine Wave and Square Wave output waveforms 20 V _{p-p} into 1 MΩ 70 Hz to 10 MHz frequency range	Agilent Technologies 33120A, Stanford Research Model DS340
Leveled Sine Wave Generator ²	Relative output level accurate to 3% flatness from 50 to 500 MHz and 50 kHz. Output adjustable to 2 V _{p-p}	Tegam SG504 with TM series mainframe A high frequency sine wave generator calibrated using semi-automated software leveled with a power meter may be substituted.
Terminator, in-line, BNC	50 Ω ±2% coaxial termination	Pomona 4119-50
Terminator, precision, BNC	50 Ω ±0.2%	LeCroy TERM-CF01
Attenuator, BNC	50 Ω ±2%, ÷10 (20 dB)	Pomona 4108-20dB
Attenuator, BNC	50 Ω ± 2%, ÷2 (6 dB),	Pomona 4108-6dB
BNC coaxial cable (2 required)	male-male BNC, 50 Ω, 36 in.	Pomona 5697-36
Calibration Fixture	ProBus Extension Cable	LeCroy PROBUS-CF01
Calibration Fixture	AP033/AP034 Calibration Fixture	LeCroy AP03x-CF01
Banana Plug adapter	BNC female-to-banana plug	Pomona 1269

Notes

- ¹ If a LeCroy ProBus equipped oscilloscope is not available, you may use an alternate oscilloscope that meets the other minimum specifications listed, and the model ADPPS power supply, to perform the performance verification procedure. The input termination of the alternate oscilloscope must be set to 50 Ω , the offset or position must remain at center screen, and the high frequency adjustments must be performed with the ADPPS connected directly to the input of the oscilloscope.
- ² The high frequency sine wave generator must be calibrated for leveled output amplitude. In lieu of the SG504 leveled sine wave generator, you may use a standard generator by calibrating the output amplitude using a power meter and a software routine to store the table of leveling correction factors. To avoid errors resulting from standing wave reflections, the AP03X-CF01 Calibration Fixture should be attached directly to the output of the generator with suitable adapters. If physical constraints require you to use an additional cable, use the minimum length possible (6 in. or less). If a cable is required, it is essential that system calibration occurred with the cable installed.

PRELIMINARY PROCEDURE

1. Connect the AP033 Active Differential Probe to the female end of the ProBus Extension Cable. Connect the male end of the ProBus extension cable to Channel 1 of the oscilloscope.
2. Turn the oscilloscope on and allow at least a 30-minute warm-up time for the AP033 and test equipment before performing the Verification Procedure.
3. Turn on the other test equipment and allow these to warm up for the time recommended by the manufacturer.
4. While the instruments are reaching operating temperature, make a photocopy of the Performance Verification Test Record (located in the Appendix at the end of this manual), and fill in the necessary data.



The warranted characteristics of the AP033 Active Differential Probe are valid at any temperature within the Environmental Characteristics listed in the Specifications. However, some of the other test equipment used to verify the performance may have environmental limitations required to meet the accuracy needed for the procedure. Make sure that the ambient conditions meet the requirements of all the test instruments used in this procedure.

PROCEDURE

Note

*The operation of the controls of the AP033 may differ depending on which version of software is loaded in the LeCroy oscilloscope. In version 8.1.0 and higher, the offset controls on the front panel of the probe are disabled. The AP033 Offset is controlled by the **OFFSET** knob in the oscilloscope CHANNEL section. In software versions 7.6.0 to 8.0.x, probe offset is controlled through one of the menu knobs while the “Coupling” menu is displayed.*

In versions 7.8.0 and higher, you have the option of selecting manual or automatic gain control. The oscilloscope defaults to AUTOMATIC mode. This procedure is best performed with the oscilloscope set to MANUAL gain control. Gain control can be selected in the “Coupling” menu for the channel to which the probe is connected.

*You can find out the software version by pushing **SHOW STATUS**, then selecting the **SYSTEM** menu option.*

A. Check Gain Accuracy

1. From the oscilloscope display, select the channel that the AP033 is connected to (channel 1), then select the “Coupling” menu. Set the **AP033 Atten/Gain** to **Manual**, the **Probe Gain** to **X1**, and the **Probe Atten** to **/1**. (**/1** is the same as **+1**)

2. If necessary, set the probe offset to 0.000 V by rotating the OFFSET knob in the CHANNEL section of the oscilloscope or with the **Offset** knob in the “Coupling” menu (older software versions).
3. Using a BNC female-to-female adapter, connect one end of a BNC cable to the probe end of the ProBus Extension Cable. Connect the Precision 50 Ω Terminator to the other end of the BNC cable.
4. Connect one end of a second BNC cable to the output of the Function Generator. Attach the BNC to dual male banana plug adapter to the free end of the second BNC cable. Insert the banana plugs of the adapter into the input terminals of the Digital Multimeter (DMM).
5. Set the DMM to measure AC Volts.
6. Set the mode of the Function Generator to Sine Wave; the frequency to approximately 1 kHz; and the output amplitude to approximately 200 mV, as measured by the DMM.
7. Record the measured amplitude to 100 μ V resolution in the Test Record.
8. Unplug the output cable from the DMM. Remove the BNC to banana plug adapter from the end of the cable.
9. Autobalance the AP033 by pressing the **AUTOBALANCE** menu button located in the “Coupling” menu.
10. Carefully align the four pins that correspond to the **Differential Drive No Termination** portion of the AP03x-CF01 Calibration Fixture with the input receptacles in the AP033 probe head. Press the probe into the fixture to fully engage the pins.
11. Connect the banana plugs of the precision terminator to the input of the digital multimeter (DMM).
12. Connect the free end of the output cable from the Function Generator to the **Differential Drive No Termination** connector of the AP033/AP034 Calibration Fixture.
13. After the DMM reading has stabilized, record the measured output amplitude to 100 μ V resolution in the Test Record.



14. Divide the measured output voltage recorded in step A-13 by the sine wave generator output voltage (probe input voltage) from step A-7. Subtract 1.0 from the ratio and multiply the result by 100 to get the error in percent.

$$\% \text{ Error} = \left(\frac{\text{Measured Output Voltage}}{\text{Input Voltage}} - 1 \right) \times 100$$

15. Record the answer to two significant places ($\pm x.xx\%$) on line A-15 in the Test Record.
16. Verify that the X1 gain error is less than $\pm 2\%$.
17. In the oscilloscope's "Coupling" menu, change the **Probe Atten** to **/10** and the **Probe Gain** to **X10**.
18. After the DMM reading has stabilized, record the measured output amplitude to 100 μV resolution in the Test Record.
19. Divide the measured output voltage recorded in step A-18 by the sine wave generator output voltage (probe input voltage) from step A-7. Subtract 1.0 from the ratio and multiply the result by 100 to get the error in percent.

$$\% \text{ Error} = \left(\frac{\text{Measured Output Voltage}}{\text{Input Voltage}} - 1 \right) \times 100$$

20. Record the answer to two significant places ($\pm x.xx\%$) on line A-20 in the Test Record.
21. Verify that the X10 gain error is less than $\pm 2\%$.
22. Divide the Sine Wave Generator output voltage recorded in step A-7 by 10. Record the result as "Expected Probe Output Voltage" in the Test Record.
23. In the oscilloscope's "Coupling" menu, return the **Probe Gain** to **X1**. Leave the **Probe Atten** set to **/10**.
24. After the DMM reading has stabilized, record the measured output amplitude to 10 μV resolution in the Test Record.
25. Calculate the error by dividing the measured output voltage recorded in step A-24 by the expected output voltage

Performance Verification

recorded in step A-22. Subtract 1.0 from this ratio and multiply by 100 to get the error in percent.

$$\% \text{ Error} = \left(\frac{\text{Measured Output Voltage}}{\text{Expected Output Voltage}} - 1 \right) \times 100$$

26. Record the calculated error to two decimal places ($\pm x.xx\%$) as ' ± 10 Gain Error' in the Test Record.
27. Verify that the ± 10 gain error is less than $\pm 2\%$.
28. Disconnect both BNC cables from the test setup.

B. Check High Frequency Common Mode Rejection Ratio (CMRR)

Note

Common Mode Rejection Ratio (CMRR) is defined as the Differential Mode Gain divided by the Common Mode Gain (normalized inverse of the Common Mode response). At higher frequencies where the bandwidth of the amplifier begins to attenuate the differential mode signal, both the differential mode gain and common mode gain must be measured to derive the CMRR.

1. Disconnect the ProBus Extension cable from the AP033 Active Differential Probe and the oscilloscope. Reconnect the AP033 directly to the Channel 1 input of the oscilloscope.
2. Carefully move the AP033 probe head from the **Differential Drive No Termination** connector of the AP033/AP034 Calibration Fixture to the **Differential Drive 50 ohm Termination** connector. Make sure that the probe is fully engaged in the fixture.
3. In the oscilloscope Channel 1 COUPLING menu, set **Coupling** to **DC 1M Ω** , **Global BWL** to **Off**, AP033 Atten/Gain to **Manual**, Probe Atten to **/1**, and Probe Gain to **X1**. Autobalance the AP033 by pressing the **AUTOBALANCE** menu button twice. Set the oscilloscope trigger mode to **AUTO**.



4. If necessary, center the trace with the Probe Offset (channel OFFSET knob).
5. Connect the output of the leveled sine wave generator to the **Differential Drive 50 ohm Termination** connector of the AP033/AP034 Calibration Fixture. If using a model SG504 generator, insert a ± 2 50Ω BNC attenuator between the generator output and the test fixture input.
6. Set the leveled sine wave generator frequency to 50 kHz, and the amplitude to approximately 300 mV_{p-p}. When using a model SG504 generator, set the output to 0.6V pk-pk at the output which will correspond to 300 mV at the output of the ± 2 attenuator.
7. Set the oscilloscope vertical scale factor to 50 mV/div and the horizontal scale factor to 10 μ sec/div. Set the Trigger source to Channel 1. Adjust the trigger level for a stable display. Turn on Math Channel A. Press **MATH SETUP**, then **REDEFINE A**. Set the A Math type to **Average**, Avg Type to **Continuous**, with **1:15** weighting, of channel 1. Turn off the trace 1 display.
8. Adjust the output amplitude of the leveled sine wave generator for a display of exactly 6 divisions (300 mV) peak to peak.
9. Change the leveled sine wave generator frequency to 250 MHz, taking care not to change the output amplitude.
10. Change the oscilloscope horizontal scale to 1 ns/div. In the **SETUP TIMEBASE** menu, select **RIS Sampling**. If necessary, turn the channel 1 display back on and adjust the trigger for a stable trace. Once a stable trace has been achieved, turn off the channel 1 trace to only display the averaged waveform.
11. Measure the peak-to-peak output amplitude of the AP033. Record the reading to two-digit resolution (xx0 mV) as 'Probe Output Voltage at 250 MHz' in the Test Record.
12. Divide the measured output amplitude recorded in step B-11 by 300 mV. Record the answer to two-digit resolution (0.xx) in the Test Record. This is the 'Differential Mode Gain at 250 MHz'.

13. Move the leveled sine wave generator output cable from the **Differential Drive 50 ohm Termination** connector of the AP033/AP034 Calibration Fixture to the channel 2 input of the oscilloscope.
14. Carefully move the AP033 probe head from the **Differential Drive 50 ohm Termination** connector of the AP033/AP034 Calibration Fixture to the **Common Mode Drive 50 ohm Termination** connector. Make sure the probe is fully engaged in the fixture.
15. Set the oscilloscope to display channel 2, channel 2 vertical scale to 0.5 Volt/div, channel 2 input coupling to DC50Ω, and trigger source to channel 2. If necessary, adjust the trigger level for a stable display.
16. Set the sine wave generator output amplitude to exactly $2 V_{p-p}$. (4 divisions on the oscilloscope).
17. Remove the leveled sine wave generator output cable from the oscilloscope and reconnect it to the **Common Mode Drive 50 ohm Termination** input connector of the AP033/AP034 Calibration Fixture.
18. Set the oscilloscope to display Math channel A (Averaged AP033 Output), and trigger source to channel 1.
19. Increase the channel 1 vertical sensitivity as needed to view the signal.
20. Measure the peak to peak amplitude of the averaged waveform. This is the common mode signal.

Note

*The amplitude of the Common Mode signal should be relatively small. If the output waveform appears to be a 1-Volt square wave, verify that the **Common Mode Drive 50 ohm Termination** connector of the AP033/AP034 Calibration Fixture is being used, and not the **Differential Drive 50 ohm Termination** connector.*



21. Record the Common Mode signal amplitude to two-digit resolution (xx0 mV) in the Test Record as 'Common Mode Signal at 250 MHz'.
22. Calculate the Common Mode Gain by dividing the Common Mode signal recorded in step B-21 (in mV) by 2,000 mV.
23. Record the result to two significant places as 'Common Mode Gain at 250 MHz' in the Test Record. (Keep all of the leading zeros or use scientific notation.)
24. Calculate the Common Mode Rejection Ratio (CMRR) at 200 MHz by dividing the Differential Mode Gain at 250 MHz as recorded in step B-12 by the Common Mode Gain recorded in step B-23.
25. Record the result as 'Common Mode Rejection Ratio at 250 MHz' in the Test Record.
26. Verify that the CMRR at 250 MHz is greater than 5:1 (14 dB).
27. Disconnect the output and frequency reference cables from the leveled sine wave generator.

C. Check Low Frequency CMRR

Note

The attenuation of the AP033 Active Differential Probe below 10 MHz is so insignificant that the Differential Mode Gain can be assumed to be unity (1.0).

1. Carefully move the AP033 probe head from the **Common Mode Drive 50 ohm Termination** connector of the AP033/AP034 Calibration Fixture to the **Common Mode Drive No Termination** connector. Make sure the probe is fully engaged in the fixture.

Note

Because greater amplitudes are required to measure the higher CMRR specifications at low frequencies, the Function Generator will be used in place of

Performance Verification

the leveled sine wave generator for the low frequency CMRR test.

2. Set the oscilloscope to display channel 2, channel 2 input coupling to DC1M Ω , channel 2 vertical scale to 1 Volt/div, horizontal scale to 5 ms/div, trigger source to channel 2. Set the BW limiting on channels 1 and 2 to 25 MHz.
3. In the oscilloscope Channel 1 COUPLING menu, verify the settings: Coupling to **DC 1M Ω** , Global BWL to **Off**, AP033 Atten/Gain to **Manual**, Probe Atten to **/1**, and Probe Gain to **X1**.
4. Attach a BNC cable from the output of the Function Generator to the BNC T adapter. Attach the BNC T adapter on the output connector of the Function Generator. Connect a BNC cable from one end of the BNC T adapter to channel 2 of the oscilloscope. Connect a second BNC cable from the remaining end of the BNC T adapter to the Common Mode Drive No Termination input connector of the AP033/AP034 Calibration Fixture.

Caution

*Make sure that you use the **Common Mode Drive No Termination** connection. Prolonged application of the power levels used in the low frequency common mode test may damage the termination resistance in either 50 ohm Termination input of the AP033/AP034 calibration fixture.*

5. Set the sine wave generator frequency to 70 Hz, output amplitude to 8 V_{p-p}, (eight divisions on the oscilloscope). If necessary, adjust the trigger level for a stable display.
6. Set the oscilloscope to display channel 1, but leave the trigger source set to channel 2. Set the vertical scale of channel 1 to 2 mV/div. Create a math waveform on channel A defined as the Average of channel 1. Set the average factor as necessary to reduce noise. Turn off the waveform display of all channels except Math A waveform.



7. Increase the zoom of Math waveform A as needed to measure the peak-to-peak amplitude. This is the common mode signal.
8. Record the displayed 'Common Mode Signal at 70 Hz' to two-digit resolution (0.xx mV) in the Test Record.
9. Calculate the Common Mode Rejection Ratio (CMRR) at 70 Hz by dividing 8,000 mV by the measured Common Mode Signal recorded in step C-8 (direct reciprocal of the Common Mode Gain). Record the result to two-digit resolution (xx,000 : 1) in the Test Record.
10. Verify that the Common Mode Rejection Ratio at 70 Hz is greater than 3,160:1 (70 dB).
11. Set the oscilloscope to display channel 2. Change the horizontal scale factor to 0.5 μ s/division. Set the BWL on channels 1 and 2 to **200 MHz**.
12. Change the frequency of the Function Generator to 1 MHz.
13. Adjust the trigger level as necessary for a stable display. Adjust the Function Generator amplitude as needed to maintain 8.0V pk-pk as measured on channel 2.
14. Turn off the oscilloscope channel 2 display; turn on the display of channel 1 and Math waveform A (averaged channel 1). Adjust the scale factor of channel 1 and the Zoom of Math A as necessary to accurately measure the amplitude of the averaged waveform.
15. Record the displayed 'Common Mode Signal at 1 MHz' to two-digit resolution in the Test Record.
16. Calculate the Common Mode Rejection Ratio (CMRR) at 1 MHz by dividing 8,000 mV by the measured Common Mode Signal recorded in step C-22. Record the result in the Test Record.
17. Verify that the Common Mode Rejection Ratio at 1 MHz is greater than 1,000:1 (60 dB).
18. Remove all cables and test fixtures from the AP033 probe.

This concludes the Performance Verification of the AP033. Complete and file the results recorded in the AP033 Performance

Performance Verification

Verification Test Record as required by your quality procedures.
Apply a suitable calibration label to the AP033 housing as
required.

#



BLANK PAGE



Adjustment Procedure

INTRODUCTION

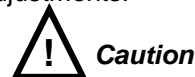
You can use this procedure to adjust the AP033 Active Differential Probe to meet the warranted specifications. This procedure should only be performed if the instrument fails to meet the Performance Verification tests.

If the probe cannot be adjusted to meet the Performance Verification limits, repair may be necessary.

To ensure instrument accuracy, check the calibration of the AP033 every 1000 hours, or once a year if used infrequently. Before calibration, thoroughly clean and inspect this unit as discussed in the “Cleaning” section.

Completion of each step in the Adjustment Procedure ensures that the differential probe meets specifications. Some of the adjustments interact with other portions of the circuitry. Therefore, it is necessary that all adjustments be performed in the order listed. For best overall instrument performance, make each adjustment to the exact setting, even when adjustment is within the limits stated in the procedure.

Adequate guard bands were designed into the AP033 to ensure that it will meet or exceed published specifications over the entire operating temperature range. To continue to meet the environmental specifications, all adjustments must be performed in a controlled environment with an ambient temperature of 25 ± 5 °C. The probe must also be at stable operating temperature before performing adjustments.



The adjustment procedure will require removal of the probe covers. These covers are part of the ESD protection system of the AP033. To protect the probe, you should perform the entire procedure on a static dissipating work surface. Wear an antistatic grounding wrist strap and follow standard static control procedures.



The probe tip housing provides physical rigidity to the input pins of the probe. When the covers are removed, observe extra caution to avoid breaking the probe tip receptacles when mating the probe to the calibration fixture.

TEST EQUIPMENT REQUIRED

The table on the next page lists the test equipment and accessories, or their equivalents, that are required for complete calibration. Specifications given for the test equipment are the minimum necessary for accurate calibration. All test equipment is assumed to be correctly calibrated and operating within the specifications listed. Detailed operating instructions for the test equipment are not given in this procedure. Refer to the test equipment manual if more information is needed.

If alternate test equipment is substituted, control settings or calibration equipment setups may need to be altered. Alternate models of test equipment may have different connector styles requiring adapters not included in the equipment list.

Adjustment Procedure

TABLE 4
Test Equipment and Accessories

Description	Minimum Specifications	Test Equipment Examples
Wide Band Oscilloscope *	500 MHz bandwidth 2 mV to 200 mV vertical scale factors ProBus interface equipped* 2% vertical accuracy	LeCroy LT354
Digital Multimeter	0.1% DC volts accuracy at 0.4 V 0.2% AC volts accuracy at 2 V and 1 kHz 5½ digit resolution 0.01 mV AC volts resolution	Agilent Technologies 34401A, Fluke 8842A-09, Keithley 2001
Function Generator	Sine and square wave output 20 V _{p-p} into 1 MΩ 50 Hz to 1 MHz frequency range Sync. or Freq. Reference output	Agilent Technologies 33120A, Stanford Research Model DS340
Fast Rise Pulse Generator	Risetime <2 ns Amplitude >400 mV into 50 Ω Over/Undershoot <6%	Calibrator signal from LeCroy oscilloscope Tegam / Tektronix PG506 with power unit
Sine Wave Generator	Output 250 MHz at 1 V RMS	Agilent Technologies 8648C, with male N to female BNC adapter for the output connector. Tegam SG504 with TM series mainframe.
DC Voltage Source	0 to 1 VDC regulated output, settable to 1 mV resolution	Agilent Technologies 6633A
Termination, BNC	50 Ω through, Male - Female	Pomona 4119-50
Termination, precision	50 Ω ± 0.05%	LeCroy TERM-CF01



TABLE 4
Test Equipment and Accessories

Description	Minimum Specifications	Test Equipment Examples
Calibration Fixture	ProBus Extension Cable	LeCroy PROBUS-CF01
Calibration Fixture	AP033/AP034 Calibration Fixture	LeCroy AP03X-CF01
BNC coaxial cable (2 Required)	male-male BNC, approx. 1 m	Pomona 5697-36
BNC T Adapter	female-male-female	Pomona 3285
Banana Plug Adapter (2 Required)	BNC female to dual male banana plug	Pomona 1269
Shorting Plug	Two 0.025 in. square pins on 0.100 in. centers	Supplied with AP03X-CF01
Adjustment Tool	0.025 in. square tip	Johanson 4192
Low Capacitance Screwdriver		

*** Notes**

If a LeCroy ProBus equipped oscilloscope is not available, you may perform the adjustment procedure with an alternate oscilloscope that meets the other minimum requirements, and the model ADPPS power supply. The input termination of the alternate oscilloscope must be set to 50 Ω , the offset or position must remain at center screen, and the high frequency adjustments must be performed with the ADPPS connected directly to the input of the oscilloscope.

PRELIMINARY PROCEDURE

1. Using pliers, carefully remove each of the push buttons from the ProBus interface housing by gently pulling them away from the housing.
2. Remove the two screws that secure the plastic cover on the cable end of the ProBus interface housing. Gently pull on the probe cable to slide the circuit board assembly from the metal housing.

Adjustment Procedure

3. Remove the 5/64 in. (2 mm) Allen head cap screw from the small cover on the back of the probe tip. Remove the cover along with the small cover on the opposite side of the probe. Hold the shielded portion of the probe head in one hand and gently slide the larger cover off by pulling it away from the probe tip end.
4. Connect the AP033 Active Differential Probe output to the female end of the ProBus Extension Cable. Be careful to align the ProBus pins with the corresponding connector correctly. Connect the male end of the ProBus Extension Cable to Channel 1 of the oscilloscope.

Note

The Logic board is connected to the Amplifier board by four small 8-pin connectors. There are no additional mechanical fasteners holding the two boards together. A small foam pad mounted on the circuit board ensures that the connectors remain engaged while the assembly is mounted within the ProBus interface housing. Be sure that the connectors between the boards are firmly engaged before applying power to the probe. Operating the probe without the logic board will not damage it. However, to ensure reliable operation, the logic board should only be mated with the Amplifier board with the power removed, and the ProBus connector disengaged.

5. Apply power to the oscilloscope and to the other test instrumentation. Allow at least 30 minute's warm-up time for the AP033 and test equipment before continuing the calibration procedure.

Note

The probe tip cover also serves to thermally stabilize the input circuitry. The differential input stage of the probe utilizes discrete transistors that need to maintain an



approximate match of junction temperatures for correct DC balance. With the covers removed, this circuitry is susceptible to drift caused by air currents flowing over the components. Remove or redirect any fans that may be blowing air currents over the probe tip during adjustment.

Note

*The operation of the controls of the AP033 may differ depending on which version of software is in the oscilloscope. You can find out the software version by pushing **SHOW STATUS**, then selecting the **System** menu option.*

*In version 8.1.0 and higher, the **OFFSET** controls on the front panel of the probe are disabled. Offset is controlled by the **OFFSET** knob in the oscilloscope **CHANNEL** section. In earlier software versions, probe offset was controlled through one of the knobs in the “**COUPLING**” menu corresponding to the channel the probe is attached to. In versions 7.8.0 and higher, you have the option of selecting manual or automatic gain control. The oscilloscope defaults to **Auto** mode. This procedure is best performed with the oscilloscope set to **Manual** gain control. Gain control can be selected in the **COUPLING** menu for the channel that the probe is connected to.*

PROCEDURE

A. Adjust Preliminary Probe DC Balance (R36)

1. From the oscilloscope's front panel, select channel **1**, then select the "COUPLING" menu. Set the AP033 Atten/Gain to **Manual**, the Probe Atten to **/10**, and the Probe Gain to **X10**.
2. If necessary, set the probe offset to **0.000 V** by rotating the OFFSET knob in the CHANNEL section of the oscilloscope (or with the **OFFSET** knob linked to the "COUPLING" menu when using older software versions).
3. Connect one end of a BNC cable to the probe end of the ProBus Extension Cable. Attach the precision 50 Ω terminator to the opposite end of the BNC cable.
4. Insert the banana plugs of the precision 50 Ω terminator into the input terminals of the DMM.
5. Insert the two pin shorting plug into the socket on the Logic board. Use the two holes closest to the probe cable. (See Figure 9.)

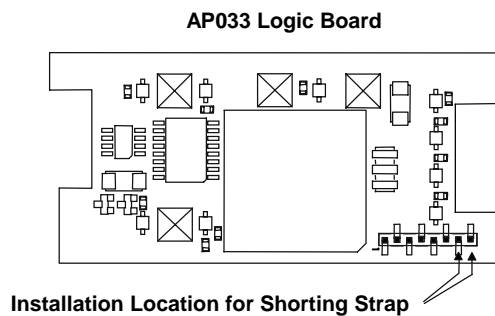


Figure 9

6. To enter the Cal Mode, push any one of the four buttons that protrude through holes in the Logic board. Entry into Cal Mode is confirmed by the absence of an audible "click" when you push the button.
7. Adjust **DC Bal** (R36) on the probe tip (Figure 10) to obtain a DMM reading of $0\text{ V} \pm 10\text{ mV}$.

Note

This voltage may not be stable because of air currents near the probe. The average voltage should be $0\text{ V} \pm 10\text{ mV}$.

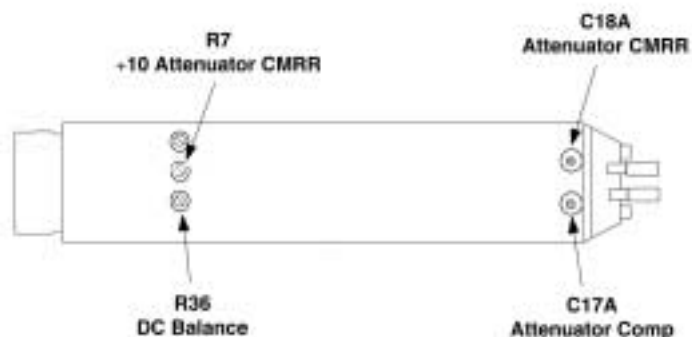


Figure 10. Probe Tip Adjustment Locations

B. Adjust Coarse DC Balance (R226)

1. Remove the shorting plug from the Logic Board.
2. In the Channel 1 "COUPLING" menu, change the **Probe Gain** to **X1**.
3. Reinsert the shorting plug into the two holes near the end of the Logic Board. (See Figure 9.)
4. Reenter Cal Mode by pushing any one of the four buttons that protrude through holes in the Logic board.
5. Adjust **Coarse DC Bal** (R226) on the amplifier board for an output voltage of $0\text{ mV} \pm 10\text{ mV}$. (See Figure 11 for location.)

Adjustment Procedure

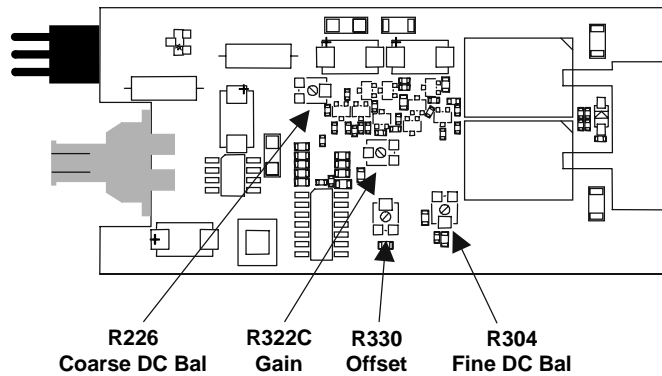


Figure 11. Amplifier Board Adjustment Locations

C. Adjust Fine DC Balance (R304)

1. Remove the shorting plug from the Logic Board.
2. In the Channel 1 “COUPLING” menu, change the **Probe Gain** to **X10**.
3. Reinsert the shorting plug into the two holes near the end of the Logic Board. (See Figure 9.)
4. Reenter Cal Mode by pushing any one of the four buttons that protrude through holes in the Logic board.
5. Remove the BNC cable from the precision 50 Ω terminator attached to the DMM.
6. Short the output BNC connector by reconnecting the cable to the **SHORT** connector on the AP033/AP034 Calibration Fixture. The **SHORT** connector is the only BNC connector on the AP033/AP034 Calibration Fixture that does not have corresponding input pins for the probe tip. It is located on the end of the board beyond the Common Mode Terminated connector.
7. In Cal Mode, the **EFFECTIVE GAIN** indicators serve as an adjustment indicator. The **EFFECTIVE GAIN** indicators are located on the Logic Board (See Figure 12.) It may be necessary to hold the boards in your hands to see the indicators while making the adjustment.

- Adjust **Fine DC Balance** (R304) until the **+10 EFFECTIVE GAIN** indicator lights. (See Figure 11.)

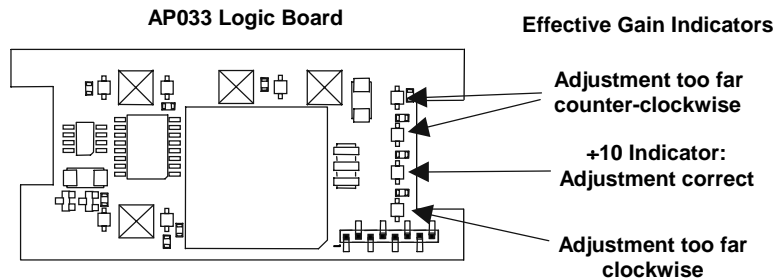


Figure 12. +10 Effective Gain Indicator

- Disconnect the BNC cable from the short connector. Remove the shorting plug from the logic board.

D. Adjust +10 Attenuator CMRR (R7)

- Keep the BNC cable attached to the probe end of the ProBus extension cable. Attach a 50Ω BNC Through Terminator on the other end of the BNC cable. Attach the male end of the 50Ω terminator to channel 3 on the oscilloscope. The oscilloscope end of the ProBus extension cable should remain connected to channel 1 of the oscilloscope although there is no signal cable attached.
- In the Channel 1 "COUPLING" menu, set AP033 Atten/Gain to **Manual**, Probe Atten to **/10** and Probe Gain to **X10**.
- Connect a BNC cable from the output of the Function Generator to the Channel 2 input of the oscilloscope.
- Connect a second BNC cable from the Function Generator **SYNC OUT** to the external trigger input of the oscilloscope.
- Set the Function Generator waveform to **Sine** and the frequency to **70 Hz**.

Adjustment Procedure

6. Set the oscilloscope as follows:
 - Display: Channel 2
 - Channel 1 VOLTS/DIV: 2 mV/div
 - Channel 2 VOLTS/DIV: 5 V/div
 - Channel 3 VOLTS/DIV: 2 mV/div
 - Channel 2 Coupling: DC1M Ω
 - Channel 3 Coupling: AC 1M Ω
 - Trigger on: EXT10
 - cplg EXT10: DC
 - TIME/DIV: 10 ms/div
 - Acquisition Mode: NORMAL
7. Adjust the trigger level for a stable display.
8. Set the Function Generator output voltage to 20 V_{p-p} as displayed on the oscilloscope.
9. Disconnect the output cable of the function generator from the channel 2 input of the oscilloscope and reconnect it to the **Common Mode Drive No Termination** connector of the AP033/AP034 Calibration Fixture.
10. Carefully align the four pins that correspond to the **Common Mode Drive No Termination** portion of the AP033/AP034 Calibration Fixture with the input receptacles in the AP033 probe head. Press the probe into the fixture to fully engage the pins.
11. Set the oscilloscope to display channel 3. The waveform is the common mode signal. Turn the offset as necessary to keep the trace on screen. Turn on Math Channel A. Press **MATH SETUP**, then **REDEFINE A**. Set the **A Math** type to **Average, Avg Type to Continuous, with 1:15 weighting, of channel 3**. Turn off the trace 3 display. Use the Math Zoom and Position controls as necessary to view the waveform.
12. Adjust **+10 CMRR** (R7) for minimum amplitude. (See Figure 10 for location.)
13. Remove the BNC cable from the output of the Function Generator and the calibration fixture. Leave the BNC cable



from the SYNC output to the oscilloscope external trigger input in place. Remove the BNC cable and 50Ω terminator from channel 3.

E. Adjust OFFSET (R330)

1. In the oscilloscope channel 1 “COUPLING” menu, set AP033 Atten/Gain to **Manual**, Probe Atten to **/1** and Probe Gain to **X1**. Set the channel 1 scale factor to 2 mV/div, and the acquisition mode to Auto. Set the BWL to **20** or **25 MHz**. Adjust the OFFSET to **0.0 mV**.
2. Carefully move the AP033 probe tip from the **Common Mode Drive No Termination** position of the AP033/AP034 Calibration Fixture to the **Differential Drive No Termination** position. Press the probe into the fixture to fully engage the pins.
3. Attach the female BNC to dual male banana plug adapters to each end of the BNC cable. Plug one end into the output of the DC voltage source, making sure that the plug corresponding to the BNC shield (marked “Ground”) is connected to the voltage source – output (or common for dual supplies) connector, and the other pin on the **+** output connector.
4. Connect the other end of the cable to the DMM input, making sure that the plug corresponding to the BNC shield (marked “Ground”) is connected to the LO or COM input.
5. Set the DC Voltage Source to read as close as possible to **+0.4000 V** on the DMM.
6. Autobalance the AP033 by pressing the **AUTOBALANCE** menu button located in the “COUPLING” menu twice, or by pressing and holding both probe offset buttons for at least two seconds.
7. Disconnect the BNC cable from the female BNC-to-dual male banana plug adapter on the DMM.
8. Reconnect the BNC cable from the DC Voltage Source to the **Differential Drive No Termination** connector on the AP033/AP034 Calibration Fixture.

Adjustment Procedure

9. Set the probe offset to **-0.4000 V** by rotating the **OFFSET** knob in the CHANNEL section of the oscilloscope (or with the **OFFSET** knob linked to the "COUPLING" menu when using the older software.)
10. Allow 10 seconds for the AP033 to stabilize.
11. Adjust **Offset** (R330) to bring the trace back to exactly center screen. (See Figure 11.)
12. Remove the dual banana plug adapter from the output of the DC voltage source and reconnect it, with the pins reversed. (The plug corresponding to the BNC shield (marked "Ground") should now be connected to the **+ Output** connector.)
13. In the CHANNEL section of the oscilloscope, set the probe offset to **+0.4000 V** by rotating the **OFFSET** knob (or with the **OFFSET** knob linked to the COUPLING menu when using the older software.)
14. Allow 10 seconds for the AP033 to stabilize.
15. Note the amplitude of the trace from center screen.
16. Adjust **Offset Cal** (R330) to position the trace to approximately $\frac{1}{2}$ the amplitude from center screen noted in the previous step. This amplitude should be within ± 10 mV of center screen. Note this value.
17. Again, remove the dual banana plug adapter from the output of the DC voltage source and reconnect it, with the pins reversed. The plug corresponding to the BNC shield (marked "Ground") should now be connected to the **- (Common) Output** connector.
18. In the CHANNEL section of the oscilloscope, set the probe offset to **-0.4000 V** by rotating the **OFFSET** knob (or with the **OFFSET** knob linked to the "COUPLING" menu when using the older software.)
19. Allow 10 seconds for the AP033 to stabilize.
20. The trace should be offset from the center line by the same amplitude but opposite polarity of the value noted in step 16.



21. Repeat steps E-12 through E-20 as necessary until the errors at +0.4 V and at -0.4 V are approximately equal and within 10 mV of center scale. Reverse the polarity of the dual banana plug adapter at the output of the DC voltage source, and the corresponding probe offset value with each repetition.
22. Disconnect the cable from the DC Voltage Source. Keep the AP033/AP034 Calibration Fixture connected to the AP033 for the next step.

F. Adjust GAIN (R322C)

1. Set the AP033 offset to **0.000 V** by rotating the **OFFSET** knob in the **CHANNEL** section of the oscilloscope (or with the **OFFSET** knob linked to the “**COUPLING**” menu when using the older software versions). Make sure the probe is still set to **/1 Atten** and **X1 Gain**.
2. Disconnect the BNC cable from the oscilloscope end of the ProBus extender cable. Reconnect the end of the cable to the precision 50 Ω termination.
3. Connect one end of a second BNC cable to the output of the Function Generator. Attach the BNC to dual male banana plug adapter to the free end of the BNC cable. Insert the banana plugs of the adapter into the input terminals of the Digital Multimeter (DMM).
4. Set the DMM to measure AC Volts.
5. Set the mode of the Function Generator to **Sine Wave**, the frequency to approximately **1 kHz**, and the output amplitude to read approximately **190 mV** on the DMM.
6. Record the DMM reading. Be careful not to alter the output amplitude of the generator after the measured value has been recorded.
7. Remove the banana plug adapter and connect the free end of the cable to the **Differential Drive no Termination** connector on the calibration fixture.
8. Connect the AP033 Output cable with 50 Ω precision termination to the DMM.

Adjustment Procedure

9. Adjust **GAIN** (R322C) so that the DMM reading is within ± 1 mV (0.5%) of the reading recorded in step F-6. (See Figure 11.)
10. In the Channel 1 "COUPLING" menu, set AP033 Atten/Gain to **Manual**, Probe Gain to **X10**, and Probe Atten to **/10**.
11. Verify that the DMM reads within 1 mV of the reading recorded in step F-6. If the error exceeds 1 mV, readjust **GAIN** (R322C) for an error amplitude of $\frac{1}{2}$ of the value before making the readjustment. Compromise as necessary to center the error voltage in both gain/attenuation combinations, making sure that the final errors are less than 1 mV.
12. Disconnect the Function Generator, DMM, calibration fixture, and precision 50 Ω terminator.

G. Adjust Final Attenuator Compensation (C17)

Note

The calibrator signal from a LeCroy oscilloscope is the recommended signal source for this adjustment. If another oscilloscope is being used for this procedure, make sure that the square wave source has adequate flatness (minimum overshoot and undershoot.)

1. Press the UTILITIES button, then select the **CAL BNC Setup** menu. Set the Mode to **CAL signal**, the Shape to **Square**, the Amplitude to **1 V** into 1 M Ω , and the Frequency to **1 kHz**.
2. In the Channel 1 "COUPLING" menu, set AP033 Atten/Gain to **Manual**, Probe Atten to **/10**, and Probe Gain to **X10**.
3. Reconnect the free end of the ProBus Extender BNC cable to the oscilloscope end of the extender located on channel 1.



4. Connect a BNC cable from the CAL output BNC connector to the **Differential Drive 50 ohm Termination** connector on the AP033/AP034 Calibration Fixture.
5. Carefully attach the **Differential Drive 50 ohm Termination** portion of the AP033/AP034 Calibration Fixture to the probe tip. Press the probe into the fixture to fully engage the pins.
6. Set the oscilloscope's channel 1 vertical scale factor to **50 mV/div**, and the horizontal scale to 1 μ s/div. Set the trigger source to channel 1, and Slope to **Positive**. Adjust the oscilloscope trigger level as necessary for a stable display.
7. Using the OFFSET knob move the trace down until the top portion of the waveform is centered.
8. Adjust **Attenuator Comp** (C17A) for a flattop waveform. See Figure 10 for adjustment location.

H. Adjust Final Attenuator CMRR (C18A)

1. Carefully move the AP033 probe head from the **Differential Drive 50 ohm Termination** portion of the AP033/AP034 Calibration Fixture to the **Common Mode Drive 50 ohm Termination** portion.
2. Remove the BNC cable from the **Differential Drive 50 ohm Termination** connector of the AP033/AP034 Calibration Fixture. Connect one end of the BNC cable to the **Common Mode Drive 50 ohm Termination** connector of the AP033/AP034 Calibration fixture. Connect the other end of the cable to the female end of a BNC T adapter. Plug the male connector of the BNC T adapter into the channel 4 input of the oscilloscope. Connect a second BNC cable to the remaining female connector of the BNC T adapter. Connect the other end of the second BNC cable to the CAL output BNC connector.
3. Set the oscilloscope display to channel 4, coupling to **DC1M Ω** vertical scale factor to **200 mV/div** and the trigger source to channel 4. Adjust the oscilloscope trigger level as necessary for a stable display.

Adjustment Procedure

4. Set the oscilloscope to display channel 1, and vertical scale factor to **10 mV/div**. Set the **OFFSET** to **0.0 mV**
5. Adjust **Attenuator CMRR** (capacitor C18A) for minimum amplitude shift of the displayed waveform at the trigger point in time. See Figure 10 for adjustment location.
6. Remove all cables, the Calibration Fixture, and the ProBus extender from the AP033 probe.

I. Assemble Probe and Amplifier

1. Carefully slide the large probe tip cover over the probe tip, being careful to engage the input pins.
2. Snap the small probe cover with the threaded brass insert onto the bottom of the probe. Engage the probe cable strain relief into the mating area of the cover. Carefully dress the wires entering the cable to clear the area above the brass insert.
3. Place the lip on the large end of the remaining cover under the mating surface near the probe tip. Gently press the cover into place. If the cover appears to not close completely, remove it and again check for adequate clearance between the brass insert and the cable wires.
4. Replace the 5/64" Allen cap screw and tighten.
5. Hold the Logic Board / Amplifier Board assembly in one hand with the Logic board facing up. Hold the ProBus Interface housing in the other hand with the control side (side with holes for the buttons) facing up.
6. Align the edges of the Amplifier board with the slots in the center of the inside of the housing. (The amplifier board is the thicker circuit board and has the BNC connector soldered to it.) Slide the boards into the housing being careful to align the screw holes in the end cover with the corresponding channels in the corners of the housing.
7. Insert and tighten the two screws which secure the end panel to the ProBus interface housing. Avoid over tightening the screws as the cover may warp.
8. Replace the four push button caps, pressing each fully to seat the cap on the button shaft



J. Attenuator Matching and Final Check

1. Repeat the Performance Verification procedure to ensure compliance with the warranted specifications.
2. Perform the Attenuator Matching Procedure listed on page 16. Apply calibration seals in accordance with your quality procedures.

This concludes the Adjustment Procedure. Repeat the Performance Verification procedure to complete the calibration of the AP033.

#



Specifications

NOMINAL CHARACTERISTICS

Nominal characteristics describe parameters and attributes that have are guaranteed by design, but do not have associated tolerances.

Input Configuration:	True Differential (+ and – Inputs); with shield Ground connector.	
Effective Gain ¹ :	X10, X1, ÷10, ÷100 ²	
Input coupling:	DC. AC Coupling obtained by installing AC Coupling Adapter.	
Differential Mode Range		
(with 10X Gain):	±40 mV	(÷1 Attenuation)
	±400 mV	(÷10 Attenuation)
	±4 V	(÷100 Attenuation ²)
(with 1X Gain):	±400mV	(÷1 Attenuation)
	±4 V	(÷10 Attenuation)
	±40 V	(÷100 Attenuation ²)
Common Mode Range:	±4.2 V	(÷1 Attenuation)
	±42 V	(÷10 Attenuation)
	±42 V	(÷100 Attenuation ²)
Maximum Input Voltage:	±42 V either input from ground.	

Notes: ¹ From combinations of gain, internal and external attenuation.

² Use external plug-on ÷10 attenuator for ÷100.



WARRANTED ELECTRICAL CHARACTERISTICS

Warranted characteristics are parameters with guaranteed performance. Unless otherwise noted, tests are provided in the Performance Verification Procedure for all warranted specifications.

LF Gain Accuracy: 2% into 50.0 Ω load³,
measured at 1 kHz with 0 volt
offset

Common Mode Rejection Ratio⁴: (Probe head grounded, DC
Coupled, ± 1 Attenuation,
without external attenuator)

70 Hz	$\geq 3160:1$	(70 dB)
1 MHz	$\geq 1000:1$	(60 dB)
250 MHz	$\geq 5:1$	(14 dB)

Notes: ³ Output impedance is 50 Ω , intended to drive 50 Ω . Add uncertainty of termination impedance to accuracy.

⁴ LeCroy measures CMRR with a fixture that connects the probe tip ground to the signal source ground. This method is necessary to obtain a reproducible CMRR measurement.

Often, users leave the probe tip ungrounded when measuring high frequency signals. Not grounding the probe tip can actually improve CMRR by allowing some of the common mode signal to be impressed across the entire length of the probe cable instead of from probe tip to probe ground. The CMRR improvement obtained without grounding the probe tip depends on proximity to probe cable ground, and is therefore nonreproducible.

LeCroy has chosen to use a reproducible method of measurement, rather than obtain a more optimistic measurement.

TYPICAL ELECTRICAL CHARACTERISTICS

Typical characteristics are parameters with no guaranteed performance. Tests for typical characteristics are not provided in the Performance Verification Procedure.

Bandwidth, probe only

(-3 dB): DC to ≥ 500 MHz

Risetime, probe only: ≤ 700 ps (± 10 Attenuation)
 ≤ 875 ps (± 1 Attenuation)

Residual Autobalance

Offset (Ref. to input) : ≤ 100 μ V (± 1 Attenuation)
 ≤ 1.5 mV (± 10 Attenuation)

Differential Offset

Range: ± 400 mV (± 1 Attenuation)
 ± 4 V (± 10 Attenuation)
 ± 40 V (± 100 Attenuation⁴)

Input Resistance

(each side to ground): 1 M Ω

Input Capacitance

(between inputs): ≤ 1.6 pF (± 10 Attenuation)
 ≤ 3.1 pF (± 1 Attenuation)

Input Capacitance

(each side to ground): ≤ 3 pF (± 10 Attenuation)
 ≤ 6 pF (± 1 Attenuation)

Noise

(Referred to input,

5 to 1000 MHz): 6 nV/ $\sqrt{\text{Hz}}$ (± 1 Attenuation, 10X Gain)
 10 nV/ $\sqrt{\text{Hz}}$ (± 1 Attenuation, 1X Gain)
 60 nV/ $\sqrt{\text{Hz}}$ (± 10 Attenuation, 10X Gain)
 115 nV/ $\sqrt{\text{Hz}}$ (± 10 Attenuation, 1X Gain)



AP033 Active Probe

Output Impedance: 50 Ω nominal. Intended to drive 50 Ω

Harmonic Distortion

3rd order distortion: -52 dB below fundamental (200 mV_{p-p} output, at 100 MHz)

3rd order intercept: +15 dBm (at 100 MHz measured at output)

AC Coupling LF Cutoff

(-3dB): 1.6 Hz

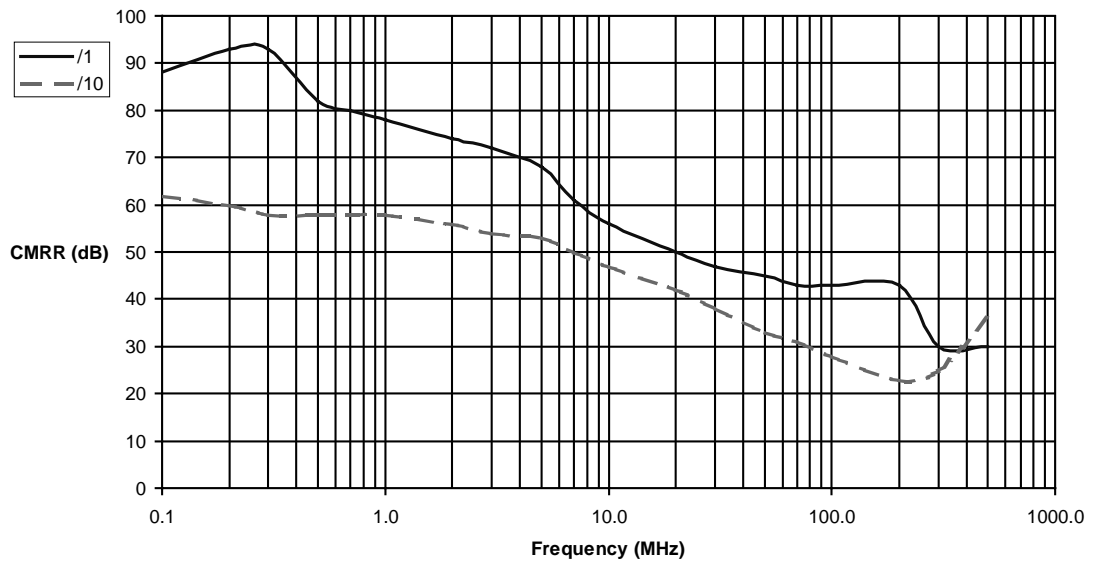


Figure 13 – Typical CMRR Graphs

GENERAL CHARACTERISTICS

Temperature: 0 to 50 °C Operating
-40 to 75 °C storage

Input Connectors: Compatible with 0.025" (0.635 mm) square pins.
0.036" (0.91 mm) maximum diameter (for round pins)

Power Requirements: Powered from oscilloscope through ProBus interface or with ADPPS power supply.

Dimensions:

Control Housing:	Length:	9.2 cm	(3.625")
	Width:	3.8 cm	(1.50")
	Height:	2.5 cm	(1.00")
Head	Length:	10.1 cm	(4.0") (W/O Attenuator or AC Coupler)
	Width:	2.25 cm	(2.25")
	Height:	1.6 cm	(0.625")
Cable:	Length:	106 cm	(42")
	Diameter:	7.0 mm	(0.275")
Mass:	Probe only:	0.18 kg	(6.4 oz)
	Shipping:	1.15 kg	(2 lbs., 8.4 oz)



COMPLIANCE AND CERTIFICATIONS

EC Declaration of Conformity Conforms to EMC Directive 89/336/EEC for electromagnetic emission and immunity requirements.

EN 55011:1997 The probe has been tested to verify compliance with this standard, Class B for Conducted and Radiated Emissions.

EN 50082-1:1997 The probe has been tested to verify compliance with this standard for ESD, Radiated Immunity, EFT/Burst Immunity, Fast Surge Immunity, Conducted Immunity, and Voltage Sags & Interruptions. The line related tests were performed with a model ADPPS Probe Power Supply.

Conforms to Low Voltage Directive 73/23/EEC for product safety.

The probe has been designed to comply with EN 61010-1 Installation Category I, 42.4V, Pollution Degree 1.

SAFETY INFORMATION



Operator Safety

The probe is intended to be used only with instruments that are connected to earth ground through the input BNC connector. When used with the ADPPS Power Supply Adapter, make sure that the adapter is connected to a BNC connector that is grounded by the test instrument before connecting the probe inputs to the test circuit.

Do not use in wet or explosive atmospheres. Remove any contamination from the probe housing before connecting the probe inputs to any circuit. Make sure that the surface of the probe head is completely dry before connecting the inputs.

The use of the probe and/or the instrument it is connected to in a manner other than specified may impair the protection mechanisms.

Do not use the probe if any part is damaged. All maintenance should be referred to qualified service personnel.

STANDARD ACCESSORIES

Hard Case

÷10 Plug-on Attenuator

Plug-on AC Coupler

Probe Connection Accessory Kit:

Flex Lead Set (1)

Mini Clip, 0.8 mm (3)

Mini Clip, 0.5 mm (2)

Ground Lead (1)

Offset Pins, Round (4)

Square Pin Header Strip (1)

Manual, AP033 Active Differential Probe Instruction Manual

OPTIONAL ACCESSORIES

ADPPS Power Supply

OSCILLOSCOPE SOFTWARE COMPATIBILITY

For full control functionality of the probe, the LeCroy oscilloscope must have software version 8.1.0 or higher. You can find out the software version installed in a LeCroy oscilloscope by pushing the SHOW STATUS button on the front panel, then selecting the **System** menu choice. The probe can be used with earlier versions of software, however gain and attenuation can only be controlled through the buttons on the probe body. Probe offset is controlled through the probe only. Also, the scale factor will be displayed incorrectly in some modes.

Contact your local LeCroy representative for information on upgrading the software in your oscilloscope.

Logic in the probe decodes the effective gain of the probe based on the settings of the gain and attenuation, and it displays the results on the probe front panel. When the probe is connected to a LeCroy oscilloscope with software version 7.6.0 or higher, the displayed scale factor will be adjusted to account for the effective gain of the probe.

With software versions 7.8.0 to 8.0.x, the VOLTS/DIV control will only affect the oscilloscope sensitivity. Extending the dynamic range of the probe can be done with the buttons on the probe or



AP033 Active Probe

through the AP033 Gain menu selection located in the probe control menu. (See Figure 14.) The probe control menu is activated by pressing the COUPLING button while the channel the probe is attached to is selected.

With software versions below 8.1.0, it is important that the oscilloscope channel offset be set to zero volts when the AP033 is attached. Failure to do so will limit the dynamic range of the probe which could result in a “clipped” waveform being displayed. With versions 7.8.0 – 8.0.x, the AP033 offset can be adjusted in the “COUPLING” menu. (See Figure 14).

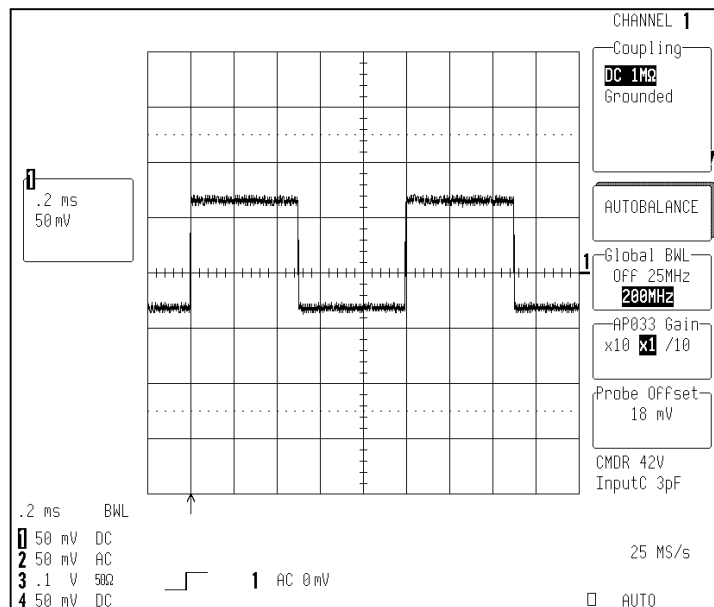


Figure 14. AP033 Probe Control Menu with software versions 7.8.0 – 8.0.x

With software versions 8.1.0 and above, the oscilloscope channel offset is automatically set to zero volts when the AP033 is attached to the oscilloscope. The channel offset knob will then control the AP033 probe offset.

With the AP033 probe attached, the Coupling Menu refers to the probe input. The common mode dynamic range (CMDR) for selected probe gain and attenuation settings are displayed in the lower right corner.

#



BLANK PAGE

AP033 Performance Verification Test Record

This record can be used to record the results of measurements made during the performance verification of the AP033 Active Probe.

Photocopy this page and record the results on the copy. File the completed record as required by applicable internal quality procedures.

The section in the test record corresponds to the parameters tested in the performance verification procedure. The numbers preceding the individual data records correspond to the steps in the procedure that require the recording of data. Results to be recorded in the column labeled "Test Result" are the actual specification limit check. The test limits are included in all of these steps. Other measurements and the results of intermediate calculations that support the limit check are to be recorded in the column labeled "Intermediate Results."

Permission is granted to reproduce these pages for the purpose of recording test results.

Model: AP033

Serial Number: _____

Asset or Tracking Number: _____

Date: _____

Technician: _____

EQUIPMENT USED:

	MODEL	SERIAL NUMBER	CALIBRATION DUE DATE
OSCILLOSCOPE			
DIGITAL MULTIMETER			
LEVELED SINE WAVE GENERATOR			
POWER METER (if used to level sine wave generator)			
FUNCTION GENERATOR ¹			N/A

¹The function generator provides stimulus for making relative measurements. The output of the generator is measured with the DMM or scope in the procedure. Thus, the generator is not required to be calibrated.

AP033 PERFORMANCE VERIFICATION TEST RECORD

Serial #: _____

Date: _____

Step	Description	Intermediate Data	Test Result
Gain Accuracy			
A-7	Sine Wave Generator Output Voltage	_____ mV	
A-13	Probe Output Voltage	_____ mV	
A-15	X1 Gain Error (Test limit $\leq \pm 2\%$)		_____ %
A-18	Probe Output Voltage	_____ mV	
A-20	X10 Gain Error (Test limit $\leq \pm 2\%$)		_____ %
A-22	Expected Probe Output Voltage	_____ mV	
A-24	Measured Probe Output Voltage	_____ mV	
A-26	+10 Gain Error (Test limit $\leq \pm 2\%$)		_____ %

High Frequency Common Mode Rejection Ratio

B-11	Probe Output Voltage at 250 MHz	_____ mV	
B-12	Differential Mode Gain at 250 MHz	_____	
B-21	Common Mode Signal at 250 MHz	_____ mV	
B-23	Common Mode Gain at 250 MHz	_____	
B-25	CMRR at 250 MHz (Test Limit $\geq 5:1$)		_____ :1

Low Frequency Common Mode Rejection Ratio

C-8	Common Mode Signal at 70 Hz	_____ mV	
C-9	CMRR at 70 Hz (Test Limit $\geq 3160:1$)		_____ :1
C-15	Common Mode Signal at 1 MHz	_____ mV	
C-16	CMRR at 1 MHz (Test Limit $\geq 1000:1$)		_____ :1